

# Office Doctor Discount Office Furniture

www.OfficeDr.com 856-368-9085

Safco Products are on Sale for Half Price

Take Half Off the List Prices in this PDF

**Call 856-368-9085 Now to Order**

#### **LIMITED LIFETIME WARRANTY**

Safco-warranty obligation: We pledge to repair or replace, at Safco's option, any Safco product or component that is defective in material or workmanship for as long as you, the original purchaser, own it.

#### **LIABILITY LIMITATIONS**

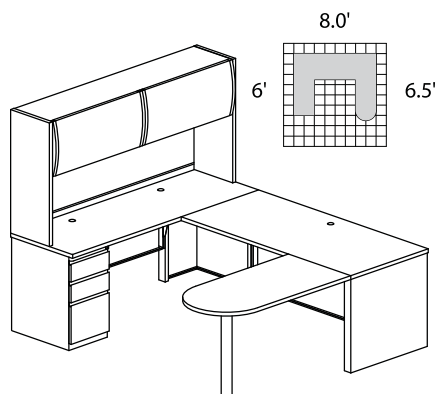
The following listed parts, components and supplies are covered under warranty in accordance with the below schedule following the product purchase date.

**Ten Years:** Seating controls and cylinders, Rumba™, Cha-Cha™, electric height-adjustable table series laminates, and wood seating components. All parts (excluding motor) on the XR, ML and E Series Height-Adjustable Tables.

**Five Years:** Glides, casters, polymer-based components, seating upholstery (fabrics and leather), foam, armrests, chrome seating components, user-adjustable work surface mechanisms, laminates, veneer finishes and other covering materials, drawer glides, electrical components, Event Series, cabinets or mobile systems, components that are either moving parts or controls (guides that are in contact with moving parts), and motors on the ML-Series, E-Series and XR-Series Height-Adjustable Tables.

**Three Years:** Outdoor Products (Evos™, Canmeleon™ and CoGo™ Product Lines), High Density 4-Post wire shelving and wire components, and electrical components, Dry Erase Surfaces.

[See website for complete Warranty Information](#)

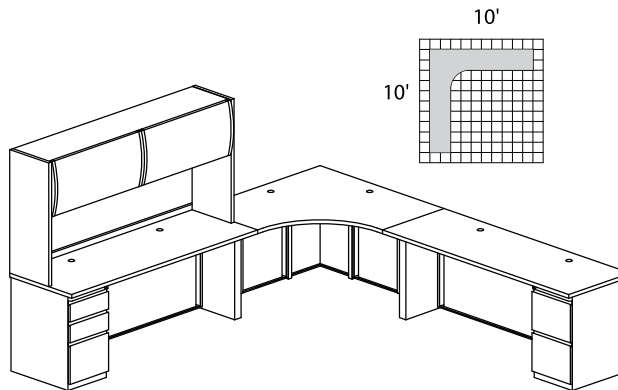


**CSII TYPICAL #2**

Consists of:

QTY.	MODEL NO.	DESCRIPTION	LIST PRICE EACH
1	C1171	Credenza 72"W x 24"D with One B/B/F	2,487.00
1	C2576	Return, 72"W x 30"D	1,562.00
1	C673	Peninsula Table, 48"W x 24"D	1,286.00
1	C747	Flipper Door Overhead Unit, 72"W x 15"D x 36"H	2,237.00
1	C867	Fabric Tack Panel for Overhead, 69¼"W x 17"H	690.00

**CST2 8,418.00**

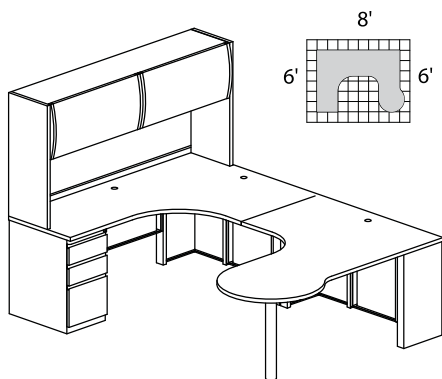


**CSII TYPICAL #3**

Consists of:

QTY.	MODEL NO.	DESCRIPTION	LIST PRICE EACH
1	C542	Corner Desk, 24"D x 42"W x 42"W x 24"D	2,190.00
1	C2471	Return 72 x 24" with One B/B/F	2,207.00
1	C2473	Return 72 x 24" with One F/F	2,421.00
1	C747	Flipper Door Overhead Unit, 72"W x 15"D x 36"H	2,237.00
1	C867	Fabric Tack Panel for Overhead, 69¼"W x 17"H	690.00

**CST3 9,960.00**

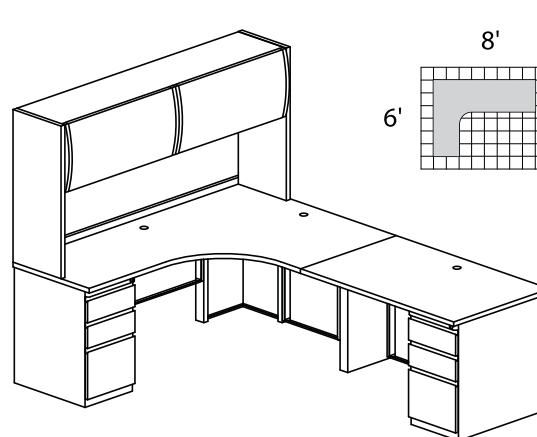


**CSII TYPICAL #4**

Consists of:

QTY.	MODEL NO.	DESCRIPTION	LIST PRICE EACH
1	C343R1	J Table 72"W x 48"D x 30"H, Return Right with One B/B/F	3,241.00
1	C483L	P Table 72"W x 48"D x 30"H, Return Left with Conference End	2,576.00
1	C747	Flipper Door Overhead Unit, 72"W x 15"D x 36"H	2,237.00
1	C867	Fabric Tack Panel for Overhead, 69¼"W x 17"H	690.00

**CST4 8,743.00**



**CSII TYPICAL #8**

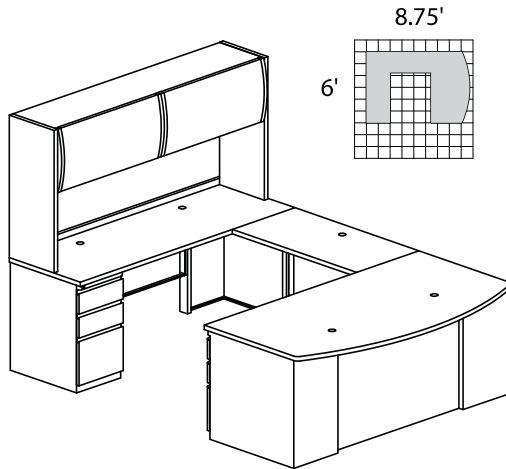
Consists of:

QTY.	MODEL NO.	DESCRIPTION	LIST PRICE EACH
1	C343R1	J Table 72"W x 48"D x 30", Return Right with One B/B/F	3,241.00
1	C2531	Return 48 x 30" with One B/B/F	2,165.00
1	C747	Flipper Door Overhead Unit 72"W x 15"D x 36"H	2,237.00
1	C867	Fabric Tack Panel for Overhead 69¼"W x 17"H	690.00

**CST8 7,791.00**

## CSII™ Typicals

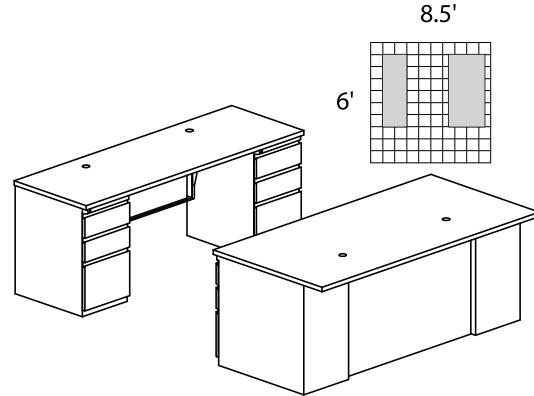
Safco® Products marketing materials are designed to be used as sales tools for our Dealer network.



## CSII TYPICAL #5

Consists of:

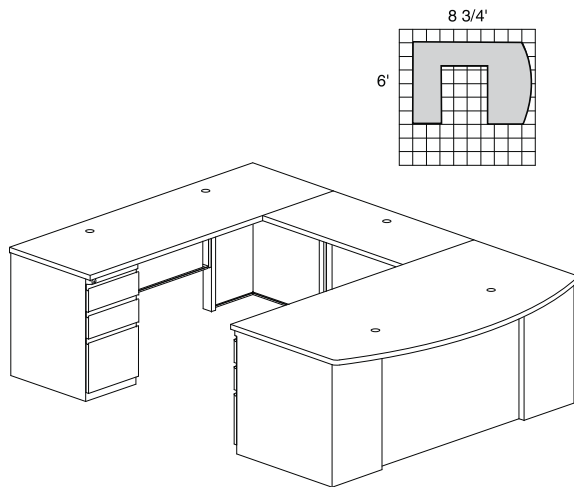
MODEL			LIST PRICE
QTY.	NO.	DESCRIPTION	EACH
1	C1971	Bowfront Desk 72 x 39" with One B/B/F	2,860.00
1	C282T	Straight Bridge, 42 x 21"	742.00
1	C1171	Credenza 72 x 24" with One B/B/F	2,487.00
1	C747	Flipper Door Overhead Unit, 72"W x 15"D x 36"H	2,237.00
1	C867	Fabric Tack Panel for Overhead, 69 1/4"W x 17"H	690.00
<b>CST5</b>			<b>9,016.00</b>



## CSII TYPICAL #7

Consists of:

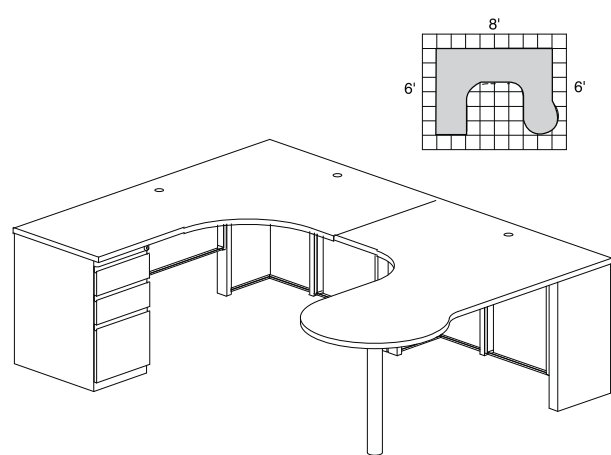
MODEL			LIST PRICE
QTY.	NO.	DESCRIPTION	EACH
1	C1675	Desk 72 x 36" with One B/B/F and One F/F	3,399.00
1	C1172	Credenza 72" x 24" with Two B/B/F	3,437.00
<b>CST7</b>			<b>7,076.00</b>



## CSII TYPICAL #9

Consists of:

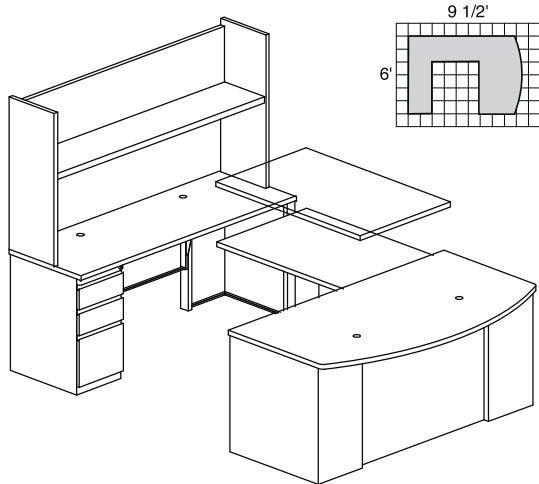
MODEL			LIST PRICE
QTY.	NO.	DESCRIPTION	EACH
1	C1971	Bowfront Desk 72"W x 39"D with One B/B/F	2,860.00
1	C1171	Credenza 72"W x 24"D with One B/B/F	2,487.00
1	C282T	Straight Bridge, 42"W x 24"D	742.00
<b>CST9</b>			<b>6,093.00</b>



## CSII TYPICAL #10

Consists of:

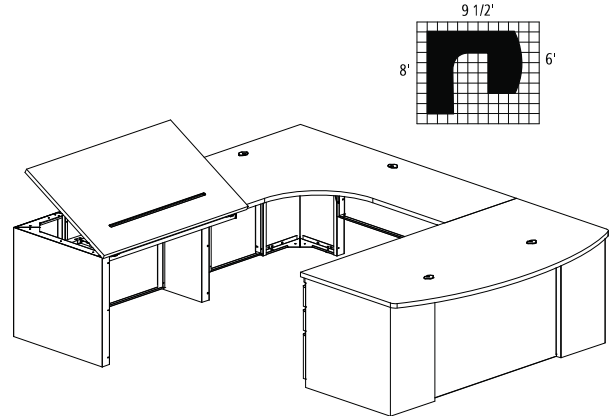
MODEL			LIST PRICE
QTY.	NO.	DESCRIPTION	EACH
1	C343R1	J Table 72"W x 48"D x 30"D, Return Right with One B/B/F	3,241.00
1	C483L	P Table 72"W x 48"D x 30"D, Return Left w/Conference End	2,576.00
<b>CST10</b>			<b>5,819.00</b>



**CSII TYPICAL #14**

Consists of:

QTY.	MODEL NO.	DESCRIPTION	LIST PRICE EACH
1	C1971	Bowfront Desk 72 x 39" with One B/B/F	2,860.00
1	C1171	Credenza 72 x 24" with One B/B/F	2,487.00
1	C48A	Height-Adjustable Bridge 48 x 24"	3,659.00
1	C777	Overhead Open Shelf, 72"W x 14"D x 36"H	1,266.00
1	C867	Fabric Tack Panel for Overhead, 69"W x 1/2"D x 17"H	690.00
<b>CST14</b>			<b>11,430.00</b>



**CSII TYPICAL #24**

Consists of:

QTY.	MODEL NO.	DESCRIPTION	LIST PRICE EACH
1	C1971	Bowfront Desk 72 x 39" with One B/B/F	2,860.00
1	C343L6	J Table 72"W x 48"D x 30"D, Return Left	2,326.00
1	C48TR	Tilt Top Return Table 48 x 30"	2,152.00
<b>CST24</b>			<b>7,027.00</b>