

# NON-STOP HEAVY DUTY TASK CHAIR

Non-Stop Heavy Duty is a powerful combination of durability and comfort for task-intensive environments. Non-Stop differs from the typical chair construction in that all mounting points – seat to mech, arms to seat and J-bar to back – are re-enforced with heavy gauge steel mounting brackets. These solid steel fasteners are second to none for reliability and ergonomic comfort in high-intensity environments where chairs perform all day, every day and support a wide range of users. Non-Stop is available in two sizes with five arm and multiple control options. These heavy duty chairs are rated to accommodate users up to 350 or 500 pounds and easily handle the demands of 24-hour environments.

## AROUND-THE-CLOCK COMFORT.



### **GOOD :: \$1,385**

Task size 2, swivel tilt mechanism, height adjustable arms, black nylon base, grade 1 textile.



### **BETTER :: \$1,445**

Task size 2, multi-function mechanism, height adjustable arms, black nylon base, grade 1 textile.



### **BEST :: \$2,082**

Task size 3, dual torsion mechanism, large loop arms, polished aluminum base, grade 1 textile.

# NON-STOP HEAVY DUTY

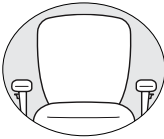
**CATEGORY: TASK CHAIR**  
**COLLECTION: NON-STOP**  
**BASE PRICE: \$1,445**  
**GSA SIN #: 711-18**

Designed for durability and backed by solid steel, Non-Stop delivers ergonomic comfort for high-intensity 24-hour environments like healthcare, call centers or public safety. It's a perfect fit where chairs need to perform all day, every day.

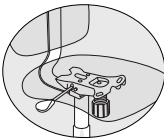
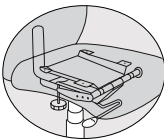
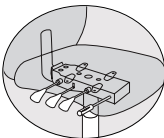
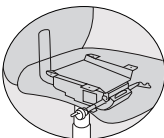
## FEATURES:

- Reinforced heavy gage steel mounting brackets
- 2 seat sizes
- Multilayer cushioning
- Waterfall seat
- Size 2 weight capacity 350 lbs.; size 3 weight capacity 500 lbs.
- 10-Year Warranty
- All options and 1,000's of textiles ship in 2, 5 or 10 days

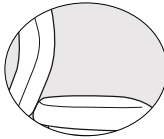
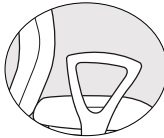
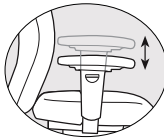
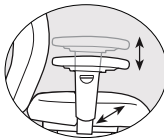
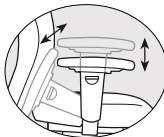
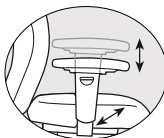
## 1. Back Information

Back Size and Style	Code	Price	
Task Size 2	672	+ \$0	
Task Size 3	673	+ \$470	

## 2. Mechanism Information

Mechanism	Code	Price	
Swivel Tilt (size 2 only)	T2	- \$60	
Dual Torsion (size 3 only)	DT	+ \$0	
Multi-Function (size 2 only)	M	+ \$0	
Euro Glide (size 2 only)	A2	+ \$87	

## 3. Arm Information

Arms	Code	Price	
Armless	AØ	- \$160	
Large Loop (size 3 only)	A72	+ \$0	
Small Loop (size 2 only)	A67	+ \$0	
Height Adjustable (size 2 only)	A68	+ \$0	
Height/Width Adjustable (size 2 only)	A69	+ \$30	
Height Adjustable Break-Away (size 2 only)	A71	+ \$30	
Height/Width Adjustable Articulating (size 2 only)	A70	+ \$62	

## 4. Base Information

Base and Color	Code	Price	
Black Base	BØ	+ \$0	
Black Aluminum Base (For Size 3 only.)	B4	+ \$0	
Black Aluminum Base (For Size 2 only.)	B4	+ \$167	
Polished Aluminum Base	B5	+ \$167	
Casters	Code	Price	
Heavy Duty Carpet Casters	C11	+ \$0	
Glides for Task Chairs	C3	+ \$30	
Heavy Duty Hard Floor Casters	C9	+ \$61	

# NON-STOP HEAVY DUTY

## 5. Material

CAL 133	Code	Price
CAL 133, Fabric, Quantities 1-49	133F	+ \$99
CAL 133, Fabric, Quantities 50+	133F5	+ \$55
Ballistic Nylon Back	Code	Price
Ballistic Nylon Back	BN	+ \$0
Back and Seat Textile	Code	Price
COM or Fabric Grade 1	COM/FG1	+ \$0
Fabric/Vinyl Grade 2	FG2	+ \$40
Fabric/Vinyl Grade 3	FG3	+ \$84
Fabric/Vinyl Grade 4	FG4	+ \$156
Fabric/Vinyl Grade 5	FG5	+ \$228
Fabric/Vinyl Grade 6	FG6	+ \$304
Fabric/Vinyl Grade 7	FG7	+ \$378

Specify textile details in Price Calculation section.

## 6. Packaging

Packaging	Code	Price
Knocked Down	KD	+ \$0
Back Attached to Seat, Base Separate	UC	+ \$30
Fully Assembled in a Carton (size 2 only)	AC	+ \$80

## SPECIFICATIONS

Model:	672 Task Size 2	673 Task Size 3
Overall Width	27.5	30
Overall Depth	26.5	28.5
Overall Height (mechanism)	(T) 34.5 (M) 32.5 (A2) 34	39.5
Seat Width	19.5	23
Seat Depth (mechanism)	(T/M) 18 (A2) 19.5	19.5
Seat Height	17.5-21	20.375-23.25
Back Width	18.5	22
Back Height (mechanism)	(T/M) 16-18.5 (A2) 17.5	21.5
Weight Armless (mechanism)	(T/M) 55 lbs. (A2) 49 lbs.	67 lbs.
Weight with Arms (mechanism)	(T/M) 68 lbs. (A2) 62 lbs.	79 lbs.
COM (With ballistic nylon.)	2.125 yds. (BN) 2.25 yd.	2.125 yds. (BN) 2.25 yd.
COL (With ballistic nylon.)	33 sq. ft. (BN) 18 sq. ft.	33 sq. ft. (BN) 18 sq. ft.
Weight Capacity	350 lbs.	500 lbs.

Dimensions are in inches.

## FINAL PRICE CALCULATION

Category	Code	Price
<b>Base Price</b>		<b>\$1,445</b>
<b>1. Back Information</b>		
Back Size and Style		\$
<b>2. Mechanism Information</b>		
Mechanism		\$
<b>3. Arm Information</b>		
Arms		\$
<b>4. Base Information</b>		
Base Color		\$
Casters		\$
<b>5. Material</b>		
CAL 133		\$
Ballistic Nylon Back		\$
<b>Back and Seat Textile/Please Specify:</b>		\$

Textile Manufacturer: \_\_\_\_\_  
 Textile Pattern: \_\_\_\_\_  
 Textile Colorway: \_\_\_\_\_

<b>6. Packaging</b>		\$
---------------------	--	----

**TOTAL PRICE:** \$ \_\_\_\_\_

**QUANTITY:** \_\_\_\_\_

**REQUESTED DELIVERY DATE:** \_\_\_\_\_



NON-STOP® HEAVY DUTY

# NON-STOP HEAVY DUTY TASK STOOL

Non-Stop Heavy Duty is a powerful combination of durability and comfort for task-intensive environments. Non-Stop differs from the typical chair construction in that all mounting points – seat to mech, arms to seat and J-bar to back – are re-enforced with heavy gauge steel mounting brackets. These solid steel fasteners are second to none for reliability and ergonomic comfort in high-intensity environments where chairs perform all day, every day and support a wide range of users. Non-Stop stools can accommodate users up to 350 pounds and easily handle the demands of 24-hour environments.

## AROUND-THE-CLOCK COMFORT.



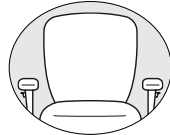
**\$1,457**

Size 1 task stool, basic mechanism, height adjustable arms, black base, grade 1 textile.

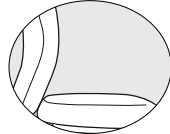
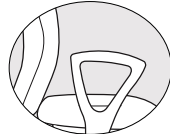
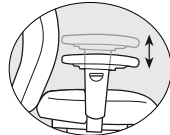
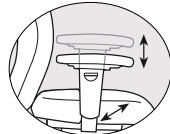
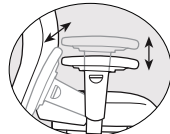
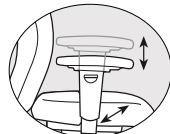
# NON-STOP HEAVY DUTY

**CATEGORY: TASK STOOL**  
**COLLECTION: NON-STOP**  
**BASE PRICE: \$1,457**  
**GSA SIN #: 711-18**

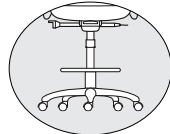
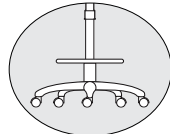
## 1. Back Information

Back Size and Style	Code	Price	
Task Size 1 Heavy Duty Stool with Basic Mechanism (swivel only)	671B2	+ \$0	

## 2. Arm Information

Arms	Code	Price	
Armless	A0	- \$160	
Small Loop	A67	+ \$0	
Height Adjustable	A68	+ \$0	
Height/Width Adjustable	A69	+ \$30	
Height Adjustable Break-Away	A71	+ \$30	
Height/Width Adjustable Articulating	A70	+ \$62	

## 3. Base Information

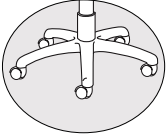
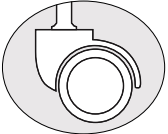
Base	Code	Price	
Standard Stool Kit	S1HD	+ \$0	
Extended Stool Kit	S2HD	+ \$24	

The Non-Stop Heavy Duty stool is available with a ballistic nylon backing option that can help prevent damage to the back of the stool. Five arm options include loop as well as height adjustable break-away arms.

## FEATURES:

- Reinforced heavy gage steel mounting brackets
- Reinforced steel-plate back height adjustment
- Multi-layer cushioning
- Waterfall seat
- 350 lb. weight capacity
- 10-Year Warranty
- All options and 1,000's of textiles ship in 2, 5 or 10 days

## 3. Base Information (continued)

Base Color	Code	Price		
Black Base	B0	+ \$0		
Black Aluminum Base	B4	+ \$167		
Polished Aluminum Base	B5	+ \$167		
Casters		Code	Price	
Heavy Duty Carpet Casters	C11	+ \$0		
Glides for Task Chairs	C3	+ \$30		
Heavy Duty Hard Floor Casters	C9	+ \$61		

## 4. Material

CAL 133	Code	Price		
CAL 133, Fabric, Quantities 1-49	133F	+ \$99		
CAL 133, Fabric, Quantities 50+	133F5	+ \$55		
Ballistic Nylon Back		Code	Price	
Ballistic Nylon Back	BN	+ \$0		
Back and Seat Textile		Code	Price	
COM or Fabric Grade 1	COM/FG1	+ \$0		
Fabric/Vinyl Grade 2	FG2	+ \$40		
Fabric/Vinyl Grade 3	FG3	+ \$84		
Fabric/Vinyl Grade 4	FG4	+ \$156		
Fabric/Vinyl Grade 5	FG5	+ \$228		
Fabric/Vinyl Grade 6	FG6	+ \$304		
Fabric/Vinyl Grade 7	FG7	+ \$378		

Specify textile details in Price Calculation section.

## 5. Packaging

Packaging	Code	Price	
Knocked Down	KD	+ \$0	
Back Attached to Seat, Base Separate	UC	+ \$30	
Fully Assembled in a Carton	AC	+ \$80	

## SPECIFICATIONS

Model:	671B2 S1HD Task Stool	671B2 S2HD Extended Task Stool
Overall Width	27.5	27.5
Overall Depth	26.5	26.5
Overall Height	40	42.5
Seat Width	19.5	19.5
Seat Depth	19.5	19.5
Seat Height	23-31	25.5-35.5
Back Width	20.5	20.5
Back Height	16	16
Weight Armless	55 lbs.	55 lbs.
Weight with Arms	68 lbs.	68 lbs.
COM (with ballistic nylon)	2.125 yds. (BN) 2.25 yds.	2.125 yds. (BN) 2.25 yds.
COL (with ballistic nylon)	36 sq. ft. (BN) 22 sq. ft.	36 sq. ft. (BN) 22 sq. ft.
Weight Capacity	350 lbs.	350 lbs.

Dimensions are in inches.

# NON-STOP HEAVY DUTY

## FINAL PRICE CALCULATION

Category	Code	Price
<b>Base Price</b>		<b>\$1,457</b>
<b>1. Back Information</b>		
Back Size and Style		\$
<b>2. Arm Information</b>		
Arms		\$
<b>3. Base Information</b>		
Base		\$
Base Color		\$
Casters		\$
<b>4. Material</b>		
CAL 133		\$
Ballistic Nylon Back		\$
<b>Back and Seat Textile/Please Specify:</b>		\$
Textile Manufacturer: _____		
Textile Pattern: _____		
Textile Colorway: _____		
<b>5. Packaging</b>		\$

**TOTAL PRICE:** \_\_\_\_\_ \$

**QUANTITY:** \_\_\_\_\_

**REQUESTED DELIVERY DATE:** \_\_\_\_\_

