

MAILFLOW SYSTEMS®

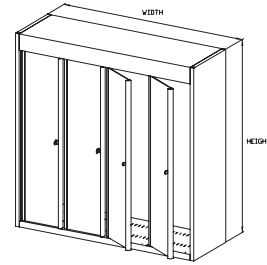
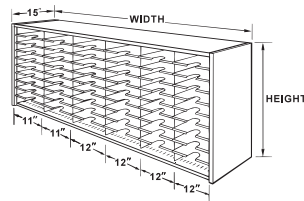


The industry's leading product line offers everything you need for your corporate mail center including sorters, tables, cabinets, carts and more.

CLOSED-BACK SORTERS

- All sorters are 15" deep.
- Sorting shelves are 12"*, 14" or 15" deep. Adjust on 1/2"H increments.
- Sorting shelves have thumb cuts and labeling flanges on the front edge of each shelf.
- Preconfigured models available, or build-your-own by specifying empty and adding components on pages 280 and 281. The letter E designates empty sorters.*
- Sorters are available with locking Plexiglas doors, the letters CP designates preconfigured models with locking doors, and the letters EP designates empty sorters with locking doors.
- **Standard Plexiglas doors are clear.** For smoked Plexiglas, add 10% of list and an "S" suffix to standard Plexiglas door sorter.
- Pricing below is for sorters with and without locking doors.
- 50 lb. weight capacity per shelf.

Closed-Back Sorter
(SC7233G)



Closed-Back Sorter
(SC4833EP)

Model No.	Width	Height	Shelf Depth	No. of 3" High Sorting Pockets	Locking Plexi Doors	Wt.	List Price
SC2424G		24"	15"	14	N	80#	\$1211
SC2424CP		(21" inside)	14"	14	Y	90#	\$1828
SC2424EP			—	Empty	Y	58#	\$1702
SC2424E			—	Empty	Y	48#	\$896
SC2433G		33"	15"	20	N	106#	\$1501
SC2433CP		(30" inside)	14"	20	Y	116#	\$2136
SC2433EP			—	Empty	Y	68#	\$1702
SC2433E	24"		—	Empty	N	58#	\$1022
SC2441G	(22" inside)	41"	15"	24	N	127#	\$1686
SC2441CP		(38" inside)	14"	24	Y	137#	\$2471
SC2441EP	2 columns of 11"W shelves		—	Empty	Y	78#	\$1959
SC2441E			—	Empty	N	68#	\$1188
SC2448G		48"	15"	30	N	152#	\$1848
SC2448CP		(45" inside)	14"	30	Y	162#	\$2777
SC2448EP			—	Empty	Y	88#	\$2088
SC2448E			—	Empty	N	78#	\$1243
SC3624G		24"	15"	21	N	115#	\$1268
SC3624CP		(21" inside)	14"	21	Y	125#	\$2630
SC3624EP			—	Empty	Y	77#	\$2185
SC3624E			—	Empty	N	67#	\$946
SC3633G		33"	15"	30	N	152#	\$1669
SC3633CP		(30" inside)	14"	30	Y	162#	\$3323
SC3633EP			—	Empty	Y	90#	\$2329
SC3633E	36"		—	Empty	N	80#	\$1204
SC3641G	(34" inside)	41"	15"	36	N	181#	\$1766
SC3641CP		(38" inside)	14"	36	Y	191#	\$3420
SC3641EP	2 columns of 11"W shelves		—	Empty	Y	103#	\$2554
SC3641E			—	Empty	N	93#	\$1044
SC3648G	and 1 column of 12"W shelves	48"	15"	45	N	218#	\$2040
SC3648CP		(45" inside)	14"	45	Y	228#	\$3981
SC3648EP			—	Empty	Y	117#	\$2697
SC3648E			—	Empty	N	107#	\$1283

Note: All preconfigured models are standard with two columns of 11" wide shelves and the remaining columns with 12" wide shelves. You may receive extra shelves with preconfigured sorters.

*12" deep shelving available in the "build-your-own" format only.

CLOSED-BACK SORTERS CONTINUED

Model No.	Width	Height	Shelf Depth	No. of 3" High Sorting Pockets	Locking Plexi Doors	Wt.	List Price
SC4824G		24"	15"	28	N	150#	\$1829
SC4824CP		(21" inside)	14"	28	Y	160#	\$3146
SC4824EP			—	Empty	Y	96#	\$2714
SC4824E			—	Empty	N	86#	\$1116
SC4833G		33"	15"	40	N	198#	\$2224
SC4833CP		(30" inside)	14"	40	Y	208#	\$3725
SC4833EP			—	Empty	Y	112#	\$2889
SC4833E			—	Empty	N	102#	\$1265
SC4841G	48" (46" inside)	41"	15"	48	N	235#	\$2503
SC4841CP		(38" inside)	14"	48	Y	245#	\$4417
SC4841EP	2 columns of		—	Empty	Y	128#	\$3212
SC4841E	11"W shelves		—	Empty	N	118#	\$1333
SC4848G	and 2 columns	48"	15"	60	N	283#	\$3074
SC4848CP	of 12"W shelves	(45" inside)	14"	60	Y	293#	\$5029
SC4848EP			—	Empty	Y	145#	\$3403
SC4848E			—	Empty	N	135#	\$1622
SC6024G		24"	15"	35	N	185#	\$2090
SC6024CP		(21" inside)	14"	35	Y	195#	\$3776
SC6024EP			—	Empty	Y	115#	\$3180
SC6024E			—	Empty	N	105#	\$1202
SC6033G		33"	15"	50	N	230#	\$2633
SC6033CP		(30" inside)	14"	50	Y	240#	\$4626
SC6033EP			—	Empty	Y	120#	\$3420
SC6033E			—	Empty	N	110#	\$1316
SC6041G	60" (58" inside)	41"	15"	60	N	261#	\$3027
SC6041CP		(38" inside)	14"	60	Y	271#	\$5349
SC6041EP	2 columns of		—	Empty	Y	125#	\$3789
SC6041E	11"W shelves and		—	Empty	N	115#	\$1444
SC6048G	3 columns of 12"W	48"	15"	75	N	306#	\$3559
SC6048CP	shelves	(45" inside)	14"	75	Y	316#	\$6021
SC6048EP			—	Empty	Y	130#	\$4047
SC6048E			—	Empty	N	120#	\$1817
SC7224G		24"	15"	42	N	214#	\$2479
SC7224CP		(21" inside)	14"	42	Y	224#	\$4446
SC7224EP			—	Empty	Y	128#	\$3710
SC7224E			—	Empty	N	118#	\$1377
SC7233G		33"	15"	60	N	269#	\$3112
SC7233CP		(30" inside)	14"	60	Y	279#	\$5349
SC7233EP			—	Empty	Y	135#	\$4000
SC7233E			—	Empty	N	125#	\$1444
SC7241G	72" (70" inside)	41"	15"	72	N	309#	\$3537
SC7241CP		(38" inside)	14"	72	Y	319#	\$6361
SC7241EP	2 columns of		—	Empty	Y	143#	\$4446
SC7241E	11"W shelves		—	Empty	N	133#	\$1794
SC7248G	and 4 columns of	48"	15"	90	N	364#	\$4180
SC7248CP	12"W shelves	(45" inside)	14"	90	Y	374#	\$7276
SC7248EP			—	Empty	Y	150#	\$4738
SC7248E			—	Empty	N	140#	\$1905

DESKING

CASEGOODS

CONFERENCE &
TRAINING TABLES

SEATING

STORAGE &
FILING

SPECIALTY
SOLUTIONS

COM
FORMS

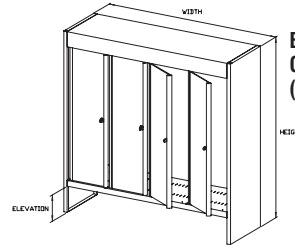
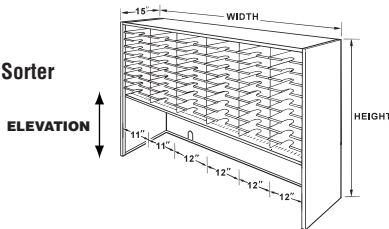
PRODUCT
INDEX

ELEVATED CLOSED-BACK SORTERS

- All sorters are 15" deep.
- Sorting shelves are 12", 14" or 15" deep. Adjust on 1/2"H increments.
- Sorting shelves have thumb cuts and labeling flanges on the front edge of each shelf.
- Preconfigured models available, or build-your-own by specifying empty and adding components on pages 280 and 281. The letter E designates empty sorters.*
- Sorters are available with locking Plexiglas doors, the letters CP designates preconfigured models with locking doors, and the letters EP designates empty sorters with locking doors.

- **Standard Plexiglas doors are clear.** For smoked Plexiglas, add 10% of list and an "S" suffix to standard Plexiglas door sorter.
- Elevated sorters offer more workspace, by raising the sorter off the work area.
- Pricing below is for sorters with and without locking doors.

Elevated Closed-Back Sorter
(SC7248GH)



Elevated
Closed-Back Sorter
(SC4848EPL)

Model No.	Width	Height	Elevation	Shelf Depth	No. of 3" High Sorting Pockets	Locking Plexi Doors	Wt.	List Price
SC2433GL		33"	9"	15"	14	N	95#	\$1332
SC2433CPL		(21" inside)		14"	14	Y	105#	\$1909
SC2433EPL				—	Empty	Y	68#	\$1784
SC2433EL				—	Empty	N	58#	\$1022
SC2441GL		41"	8"	15"	20	N	111#	\$1666
SC2441CPL		(30" inside)		14"	20	Y	121#	\$2375
SC2441EPL				—	Empty	Y	78#	\$1909
SC2441EL				—	Empty	N	68#	\$1123
SC2441GH		41"	17"	15"	14	N	105#	\$1502
SC2441CPH	24"	(21" inside)		14"	14	Y	115#	\$2167
SC2441EPH	(22" inside)			—	Empty	Y	78#	\$1816
SC2441EH				—	Empty	N	68#	\$1123
SC2448GL	2 columns of	48"	7"	15"	24	N	132#	\$1848
SC2448CPL	11"W shelves	(38" inside)		14"	24	Y	142#	\$2889
SC2448EPL				—	Empty	Y	88#	\$2248
SC2448EL				—	Empty	N	78#	\$1204
SC2448GH		48"	15"	15"	20	N	132#	\$1771
SC2448CPH		(30" inside)		14"	20	Y	142#	\$2263
SC2448EPH				—	Empty	Y	88#	\$1975
SC2448EH				—	Empty	N	78#	\$1204
SC3633GL		33"	9"	15"	21	N	128#	\$1493
SC3633CPL		(21" inside)		14"	21	Y	138#	\$2569
SC3633EPL				—	Empty	Y	90#	\$2296
SC3633EL				—	Empty	N	80#	\$1123
SC3641GL		41"	8"	15"	30	N	168#	\$1926
SC3641CPL		(30" inside)		14"	30	Y	178#	\$3146
SC3641EPL				—	Empty	Y	103#	\$2471
SC3641EL				—	Empty	N	93#	\$1253
SC3641GH		41"	17"	15"	21	N	149#	\$1604
SC3641CPH	36"	(21" inside)		14"	21	Y	159#	\$2829
SC3641EPH	(34" inside)			—	Empty	Y	103#	\$2362
SC3641EH				—	Empty	N	93#	\$1253
SC3648GL	2 columns of	48"	7"	15"	36	N	198#	\$2167
SC3648CPL	11"W shelves	(38" inside)		14"	36	Y	208#	\$3693
SC3648EPL	and 1 column of			—	Empty	Y	117#	\$2728
SC3648EL	12"W shelves			—	Empty	N	107#	\$1364
SC3648GH		48"	15"	15"	30	N	187#	\$2091
SC3648CPH		(30" inside)		14"	30	Y	197#	\$3146
SC3648EPH				—	Empty	Y	117#	\$2488
SC3648EH				—	Empty	N	107#	\$1364

*12" deep shelving available in the "build-your-own" format only.

ELEVATED CLOSED-BACK SORTERS CONTINUED

Model No.	Width	Height	Elevation	Shelf Depth	No. of 3" High Sorting Pockets	Locking Plexi Doors	Wt.	List Price
SC4833GL		33"	9"	15"	28	N	160#	\$1888
SC4833CPL		(21" inside)		14"	28	Y	170#	\$3243
SC4833EPL				—	Empty	Y	112#	\$2829
SC4833EL				—	Empty	N	102#	\$1265
SC4841GL	48"	41"	8"	15"	40	N	224#	\$2400
SC4841CPL	(46" inside)	(30" inside)		14"	40	Y	234#	\$3856
SC4841EPL				—	Empty	Y	128#	\$3051
SC4841EL	2 columns of			—	Empty	N	118#	\$1443
SC4841GH	11"W shelves	41"	17"	15"	28	N	193#	\$2000
SC4841CPH	and 2 columns	(21" inside)		14"	28	Y	203#	\$3470
SC4841EPH	of 12"W shelves			—	Empty	Y	128#	\$2907
SC4841EH				—	Empty	N	118#	\$1443
SC4848GL		48"	7"	15"	48	N	263#	\$2926
SC4848CPL		(38" inside)		14"	48	Y	273#	\$4497
SC4848EPL				—	Empty	Y	145#	\$3372
SC4848EL				—	Empty	N	135#	\$1526
SC4848GH		48"	15"	15"	40	N	241#	\$2569
SC4848CPH		(30" inside)		14"	40	Y	251#	\$3903
SC4848EPH				—	Empty	Y	145#	\$3113
SC4848EH				—	Empty	N	135#	\$1526
SC6033GL		33"	9"	15"	35	N	203#	\$2214
SC6033CPL		(21" inside)		14"	35	Y	213#	\$3872
SC6033EPL				14"	Empty	Y	120#	\$3310
SC6033EL				—	Empty	N	110#	\$1398
SC6041GL		41"	8"	15"	50	N	248#	\$2808
SC6041CPL		(30" inside)		14"	50	Y	258#	\$4658
SC6041EPL				—	Empty	Y	125#	\$3566
SC6041EL				—	Empty	N	115#	\$1526
SC6041GH		41"	17"	15"	35	N	208#	\$2382
SC6041CPH	60"	(21" inside)		14"	35	Y	218#	\$3935
SC6041EPH	(58" inside)			—	Empty	Y	125#	\$3372
SC6041EH				—	Empty	N	115#	\$1526
SC6048GL	2 columns of	48"	7"	15"	60	N	275#	\$3262
SC6048CPL	11"W shelves	(38" inside)		14"	60	Y	285#	\$5461
SC6048EPL	and 3 columns			—	Empty	Y	130#	\$3950
SC6048EL	of 12"W shelves			—	Empty	N	120#	\$1604
SC6048GH		48"	15"	15"	50	N	233#	\$2981
SC6048CPH		(30" inside)		14"	50	Y	243#	\$4804
SC6048EPH				—	Empty	Y	130#	\$3645
SC6048EH				—	Empty	N	120#	\$1604
SC7233GL		33"	9"	15"	42	N	237#	\$2581
SC7233CPL		(21" inside)		14"	42	Y	247#	\$4577
SC7233EPL				—	Empty	Y	135#	\$3872
SC7233EL				—	Empty	N	125#	\$1509
SC7241GL		41"	8"	15"	60	N	292#	\$3385
SC7241CPL		(30" inside)		14"	60	Y	302#	\$5461
SC7241EPL				—	Empty	Y	143#	\$4174
SC7241EL				—	Empty	N	133#	\$1604
SC7241GH		41"	17"	15"	42	N	245#	\$2844
SC7241CPH	72"	(21" inside)		14"	42	Y	255#	\$4640
SC7241EPH	(70" inside)			—	Empty	Y	143#	\$3950
SC7241EH				—	Empty	N	133#	\$1604
SC7248GL	2 columns of	48"	7"	15"	72	N	332#	\$3647
SC7248CPL	11"W shelves	(38" inside)		14"	72	Y	347#	\$6425
SC7248EPL	and 4 columns			—	Empty	Y	155#	\$4593
SC7248EL	of 12"W shelves			—	Empty	N	140#	\$1766
SC7248GH		48"	15"	15"	60	N	300#	\$3504
SC7248CPH		(30" inside)		14"	60	Y	315#	\$5543
SC7248EPH				—	Empty	Y	155#	\$4255
SC7248EH				—	Empty	N	140#	\$1766

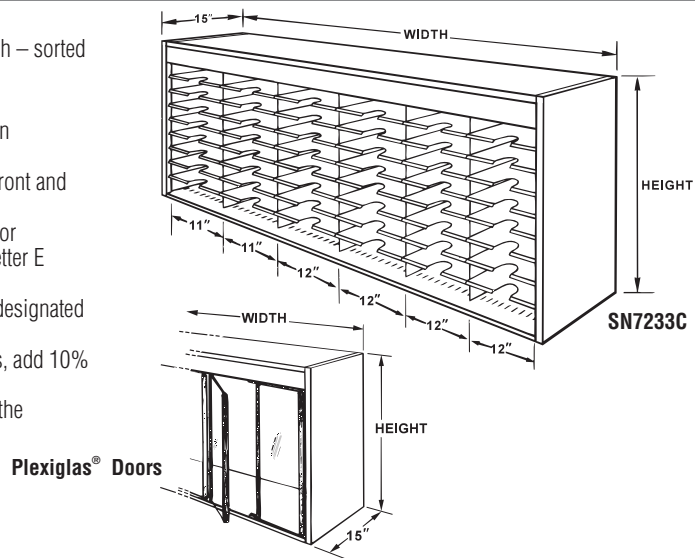
DESKING
CASEGOODS
CONFERENCE & TRAINING TABLES
SEATING
STORAGE & FILING
SPECIALTY SOLUTIONS
COM FORMS
PRODUCT INDEX

OPEN-BACK SORTERS

Open-Back Sorters are typically used where mail is passed through – sorted on one side and collected by the recipient on the other.

- All sorters are 15" deep with 14" deep sorting shelves. Adjust on 1/2"H increments.
- Sorting shelves have thumb cuts and labeling flanges on both front and back of shelves.
- Preconfigured models, designated by the letter C are available, or build-your-own by specifying empty sorter designated by the letter E and adding components on pages 280 and 281.
- All sorters are available with locking Plexiglas doors, which is designated by the letter P.
- **Standard Plexiglas doors are clear.** For smoked Plexiglas, add 10% of list and an "S" suffix to standard Plexiglas door sorter.
- Elevated sorters offer more workspace, by raising the sorter off the work area.

- Pricing below is for sorters with and without doors.



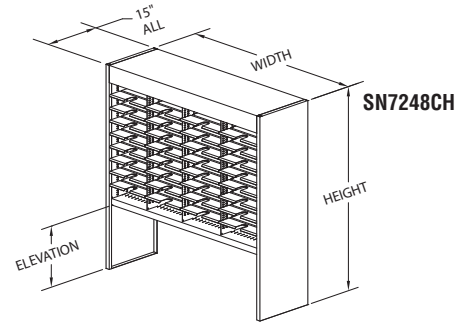
Model No.	Width	Height	No. of 3" High Sorting Pockets	Wt.	List Price	List Price With Doors P Suffix
SN4824E	48"	24" (18" inside)	Empty	55#	\$1110	\$2458
SN4833C	(46" inside)	33"	36	149#	\$2071	\$2777
SN4833E	2 columns of	(27" inside)	Empty	60#	\$1240	\$2585
SN4841C	11"W shelves	41"	44	181#	\$2479	\$3533
SN4841E	and 2 columns	(35" inside)	Empty	65#	\$1348	\$2907
SN4848C	of 12"W shelves	48"	56	213#	\$2903	\$4143
SN4848E		(42" inside)	Empty	70#	\$1413	\$2988
SN6024E	60"	24" (18" inside)	Empty	70#	\$1147	\$2889
SN6033C	(58" inside)	33"	45	188#	\$2444	\$3533
SN6033E	2 columns of	(27" inside)	Empty	75#	\$1261	\$3034
SN6041C	11"W shelves	41"	55	238#	\$2831	\$4128
SN6041E	and 3 columns	(35" inside)	Empty	80#	\$1529	\$3454
SN6048C	of 12"W shelves	48"	70	285#	\$3460	\$5140
SN6048E		(42" inside)	Empty	85#	\$1604	\$3533
SN7224E	72"	24" (18" inside)	Empty	85#	\$1285	\$3357
SN7233C	(70" inside)	33"	54	232#	\$2741	\$4434
SN7233E	2 columns of	(27" inside)	Empty	95#	\$1443	\$3549
SN7241C	11"W shelves	41"	66	282#	\$3323	\$4816
SN7241E	and 4 columns	(35" inside)	Empty	105#	\$1686	\$4032
SN7248C	of 12"W shelves	48"	84	331#	\$3974	\$5784
SN7248E		(42" inside)	Empty	115#	\$1766	\$4128

Note: All preconfigured models are standard with two columns of 11" wide shelves and the remaining columns with 12" wide shelves. You may receive extra shelves with preconfigured sorters.

ELEVATED OPEN-BACK SORTERS

Open-Back Sorters are typically used where mail is passed through – sorted on one side and collected by the recipient on the other.

- All sorters are 15" deep with 14" deep sorting shelves. Adjust on 1/2"H increments.
- Sorting shelves have thumb cuts and labeling flanges on both front and back of shelves.
- Preconfigured models, designated by the letter C are available, or build-your-own by specifying empty sorter designated by the letter E and adding components on pages 280 and 281.
- All sorters are available with locking Plexiglas doors, which is designated by the letter P.
- **Standard Plexiglas doors are clear.** For smoked Plexiglas, add 10% of list and an "S" suffix to standard Plexiglas door sorter.
- Elevated sorters offer more workspace, by raising the sorter off the work area.
- Pricing below is for sorters with and without doors.



Model No.	Width	Height	Elevation	No. of 3" High Sorting Pockets	Wt.	List Price	List Price With Doors P Suffix
SN4833CL		33"	9"	24	103#	\$1828	\$3310
SN4833EL		(18" inside)		Empty	55#	\$1240	\$2650
SN4841CL	48"	41"	8"	36	132#	\$2272	\$3663
SN4841EL	(46" inside)	(27" inside)		Empty	60#	\$1473	\$2810
SN4841CH		41"	17"	24	108#	\$2064	\$3324
SN4841EH	2 columns of	(18" inside)		Empty	60#	\$1348	\$2728
SN4848CL	11"W shelves	48"	7"	44	153#	\$2725	\$4239
SN4848EL	and 2 columns	(35" inside)		Empty	65#	\$1571	\$3113
SN4848CH	of 12"W shelves	48"	15"	36	137#	\$2365	\$3693
SN4848EH		(27" inside)		Empty	65#	\$1396	\$2841
SN6033CL		33"	9"	30	135#	\$2138	\$3903
SN6033EL		(18" inside)		Empty	75#	\$1193	\$3101
SN6041CL	60"	41"	8"	45	170#	\$2669	\$4304
SN6041EL	(58" inside)	(27" inside)		Empty	80#	\$1529	\$3243
SN6041CH		41"	17"	30	140#	\$2393	\$3935
SN6041EH	2 columns of	(18" inside)		Empty	80#	\$1413	\$3133
SN6048CL	11"W shelves	48"	7"	55	195#	\$2927	\$4947
SN6048EL	and 3 columns	(35" inside)		Empty	85#	\$1444	\$3693
SN6048CH	of 12"W shelves	48"	15"	45	175#	\$2888	\$4335
SN6048EH		(27" inside)		Empty	85#	\$1661	\$3292
SN7233CL		33"	9"	36	164#	\$2524	\$4577
SN7233EL		(18" inside)		Empty	92#	\$1443	\$3533
SN7241CL	72"	41"	8"	54	213#	\$3056	\$5140
SN7241EL	(70" inside)	(27" inside)		Empty	105#	\$1689	\$3693
SN7241CH		41"	17"	36	177#	\$2764	\$4593
SN7241EH	2 columns of	(18" inside)		Empty	105#	\$1689	\$3533
SN7248CL	11"W shelves	48"	7"	66	247#	\$3364	\$5784
SN7248EL	and 4 columns	(35" inside)		Empty	115#	\$1604	\$4174
SN7248CH	of 12"W shelves	48"	15"	54	223#	\$3236	\$5140
SN7248EH		(27" inside)		Empty	115#	\$1786	\$3693

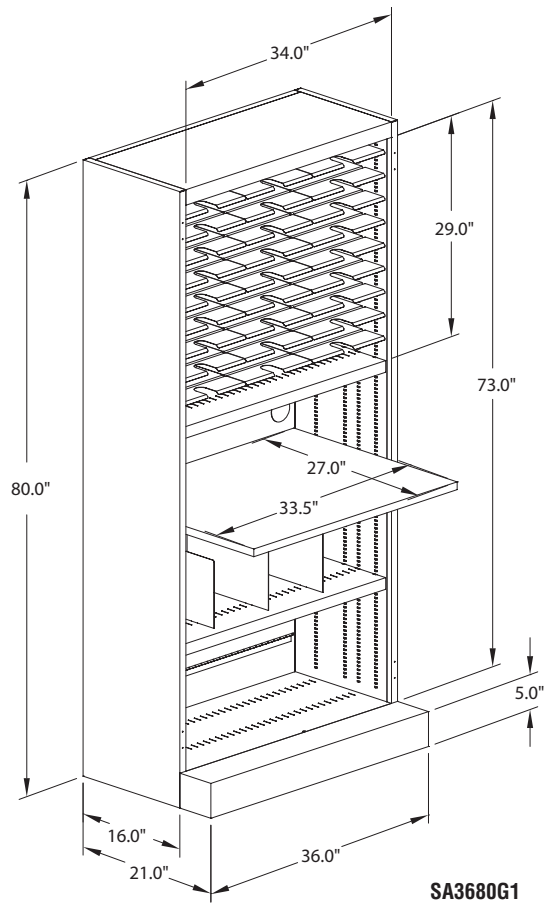
Note: All preconfigured models are standard with two columns of 11" wide shelves and the remaining columns with 12" wide shelves. You may receive extra shelves with preconfigured sorters.

SPECIALIZED SORTERS

Satellite Sorters

Kwik-File Satellite Sorters are ideal for final sorting of mail in departments.

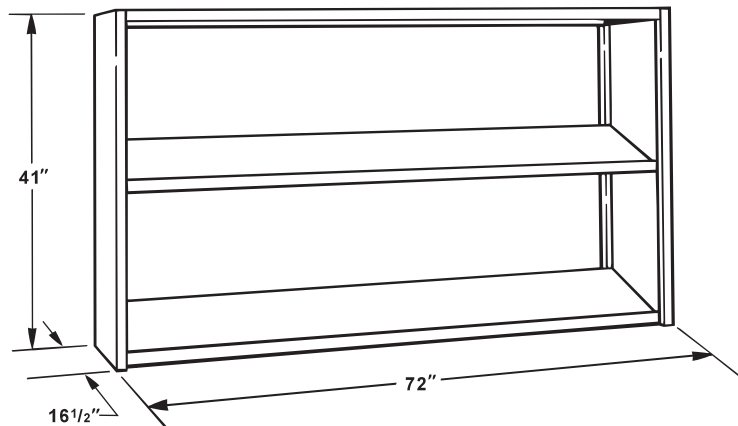
- 36"W models standard with 11" and 12"W pockets for mail sorting.
- 1" thick standard low-pressure laminate work surface is 27"D and adjusts within cabinet on 1/2"H increments. Add suffix LAM for high pressure laminate.
- All-welded steel cabinet construction.
- Steel back panel of cabinet has one 3" diameter cable management cutout.
- Shelves adjust on 1/2"H increments.



Model No.		Width	Height	Shelf Depth	No. of 3" High Sorting Pockets	Wt.	Low-Pressure Laminate List Price	Std. Laminate List Price
								LAM Suffix
SA3680G1	2 columns of 11"W	36"	80"	15"	30	240#	\$3363	\$3463
SA3680L1	shelves and 1 column			12"	30	222#	\$3212	\$3374
SA3680E1	of 12"W shelves			-	Empty	190#	\$2160	\$2323

Tub Sorter

The Kwik-File Tub Sorter is for bulk pre-sorting operations using USPS tubs. Capacity is 10 tubs (five tubs per shelf). Angled shelves make sorting easier. The front shelf edges are protected from tubs by vinyl strips, shelf tops by transparent sheet vinyl. All-welded steel construction; open back.



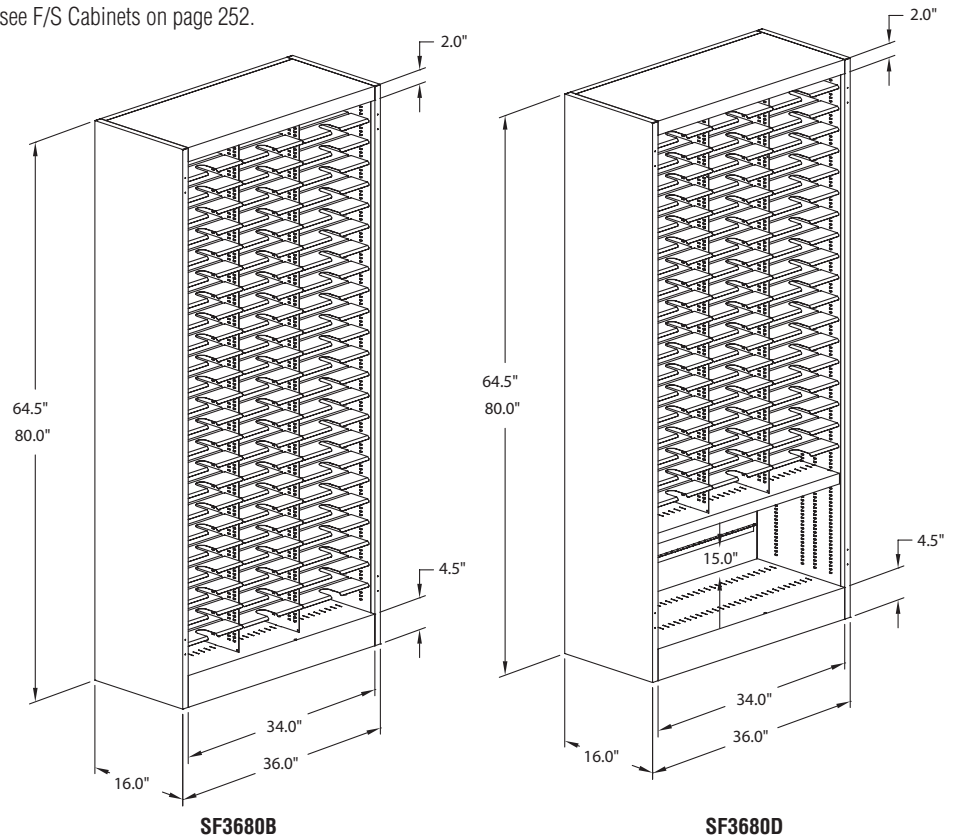
Model No.	Width	Height	Depth	Wt.	List Price
SB7241	72"	41"	16 1/2"	170#	\$2099

SPECIALIZED SORTERS

Freestanding Sorters

Use Kwik-File Freestanding Sorters where space is limited and work surface is not required.

- Preconfigured models come standard with 3"H pockets in either letter (12"D) or legal (15"D) depths. Adjust on 1/2"H increments.
- All-welded steel cabinet construction.
- For other Freestanding Sorter models, see F/S Cabinets on page 252.



Model No.	Width	Height	Shelf Depth	No. of 3" High Sorting Pockets	Wt.	List Price
SF3665BL1	36"	64 1/2"	12"	57	292#	\$2996
SF3665DL1	2 columns of 11"W shelves and 1 column of 12"W shelves		15"	45	273#	\$2874
SF3665BG1	2 columns of 11"W shelves and 1 column of 12"W shelves		12"	57	312#	\$3304
SF3665DG1	2 columns of 11"W shelves and 1 column of 12"W shelves		15"	45	288#	\$3136
SF3680BL1	36"	80"	12"	72	414#	\$3508
SF3680DL1	2 columns of 11"W shelves and 1 column of 12"W shelves		15"	57	397#	\$3319
SF3680BG1	2 columns of 11"W shelves and 1 column of 12"W shelves		12"	72	444#	\$3792
SF3680DG1	2 columns of 11"W shelves and 1 column of 12"W shelves		15"	57	422#	\$3546

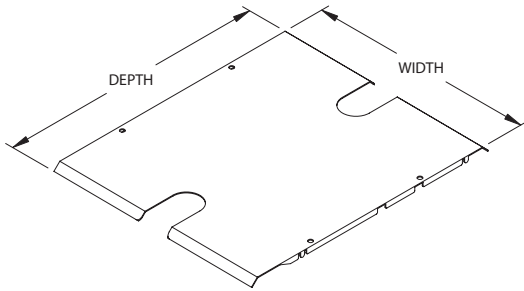
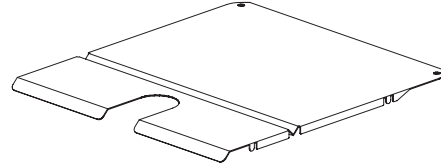
SHELVES AND SHELF SUPPORTS

Shelves

The patented Kwik-Shelf™ shelving system is the key to the space-saving efficiency and improved productivity provided by Kwik-File sorters.

- All shelves lock in place and won't pull out when retrieving mail.
- Shelves can be removed for easy height adjustment on 1/2" increments.
- All shelves have centered thumb cut for quick one-handed retrieval of mail.
- Front edge of shelves has a 45° beveled labeling flange for easy reading of labels and allows mail from pocket below to pass under above shelf without hanging up.
- Heavy-duty, 20-gauge shelves with V-groove hold up to 75 lbs. per pocket.

Note: Kwik-Shelf system not compatible with shelves shipped prior to October 1995. Call Customer Service for additional old-style shelves.



Shelves for Open-Back Sorters, Plex Door Units Included

(available in packages of 6, 12 or 18 shelves only)

6-Shelf Package

Model No.	Width	Depth	Wt. per shelf	List Price
1114P06	11"	14 1/2"	2.0#	\$143
1214P06	12"	14 1/2"	2.5#	\$148

Shelves for Closed-Back Sorters with Doors

6-Shelf Package

Model No.	Width	Depth	Wt. per shelf	List Price
1114SDP06	11"	14"	2.0#	\$208
1214SDP06	12"	14"	2.5#	\$223

Shelves for Non-Plex Door Closed-Back Sorters

6-Shelf Package

Model No.	Width	Depth	Wt. per shelf	List Price
0412P06	4"	12"	.5#	\$78
0512P06	5"	12"	.75#	\$85
0515P06	5"	15"	1.0#	\$89
0612P06	6"	12"	.75#	\$88
0712P06	7"	12"	1.0#	\$90
0812P06	8"	12"	1.05#	\$106
0912P06	9"	12"	1.05#	\$116
0915P06	9"	15"	2.0#	\$135
1012P06	10"	12"	1.15#	\$123
1015P06	10"	15"	1.5#	\$142
1112P06	11"	12"	1.25#	\$130
1115P06	11"	15"	1.65#	\$143
1212P06	12"	12"	1.4#	\$132
1215P06	12"	15"	1.75#	\$148
1412P06	14"	12"	2.3#	\$179
1415P06	14"	15"	2.75#	\$196
1515P06	15"	15"	2.9#	\$217
1612P06	16"	12"	2.8#	\$208
1615P06	16"	15"	3.0#	\$234

To design your own sorter configuration

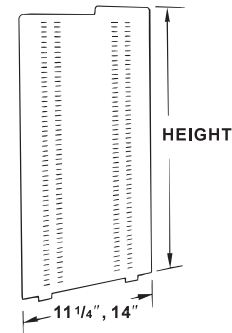
(different from preconfigured models listed in pages 272-277)

1. Assess the volume and size of your mail. Then determine the size and number of pockets you'll need, considering each pocket's height, shelf width and shelf depth.
2. Select an empty sorter from pages 272-277 and configure it with the shelves sized from step 1. Try to use (but not exceed) the full interior space of each sorter. Specify shelf supports (one less than the number of columns of shelves) and shelves as shown on this page.
3. If you need assistance, call Customer Service.

SHELVES AND SHELF SUPPORTS

Shelf Supports

Shelf Supports divide a sorter into columns, and support the shelves within each column. Shelf supports are adjustable in 1" horizontal increments to fit various shelf widths. Each support is slotted at 1/2" vertical increments for shelf adjustment. Shelf support models are based on sorter type, height, and shelf depth. When ordering, remember that the two end shelf supports are included with each sorter.



Shelf Supports

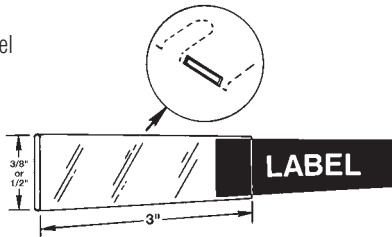
(available in packages of 1, 2, 3, 4, or 5 units only)

Sorter Type	Ht.	For Shelf Depth of	Wt. per Shelf	1-Unit Package		2-Unit Package		3-Unit Package		4-Unit Package		5-Unit Package	
				Model No.	List Price	Model No.	List Price	Model No.	List Price	Model No.	List Price	Model No.	List Price
Closed-Back	21"	12"	5.4#	SS24LM01	\$45	SS24LM02	\$89	SS24LM03	\$134	SS24LM04	\$182	SS24LM05	\$225
		15"	8.4#	SS24GM01	\$55	SS24GM02	\$111	SS24GM03	\$166	SS24GM04	\$223	SS24GM05	\$276
	30"	12"	8.0#	SS33LM01	\$53	SS33LM02	\$107	SS33LM03	\$160	SS33LM04	\$216	SS33LM05	\$266
		15"	10.5#	SS33GM01	\$65	SS33GM02	\$130	SS33GM03	\$188	SS33GM04	\$258	SS33GM05	\$319
	38"	12"	9.5#	SS41LM01	\$65	SS41LM02	\$130	SS41LM03	\$188	SS41LM04	\$258	SS41LM05	\$319
		15"	12.6#	SS41GM01	\$76	SS41GM02	\$152	SS41GM03	\$225	SS41GM04	\$298	SS41GM05	\$374
	45"	12"	11.0#	SS48LM01	\$76	SS48LM02	\$152	SS48LM03	\$225	SS48LM04	\$298	SS48LM05	\$374
		15"	14.8#	SS48GM01	\$88	SS48GM02	\$172	SS48GM03	\$258	SS48GM04	\$342	SS48GM05	\$427
Open-Back & Plexi-Back	21"	14 1/2"	8.0#	SS24N01	\$55	SS24N02	\$111	SS24N03	\$166	SS24N04	\$223	SS24N05	\$276
	30"	14 1/2"	10.0#	SS33N01	\$65	SS33N02	\$130	SS33N03	\$188	SS33N04	\$258	SS33N05	\$319
	38"	14 1/2"	12.0#	SS41N01	\$76	SS41N02	\$152	SS41N03	\$225	SS41N04	\$298	SS41N05	\$374
	45"	14 1/2"	14.0#	SS48N01	\$89	SS48N02	\$178	SS48N03	\$258	SS48N04	\$351	SS48N05	\$438

SORTER ACCESSORIES

Label Holders

Transparent, self-adhesive Label Holders fit securely on beveled shelf front. A blank, white insert with four sides is included. Package of 20. Choose from self-adhesive, magnetic, or velcro models.



Model No.	Type	Width	Height	Wt.	List Price
90145	Adhesive	3"	3/8"	1 oz.	\$27
911785	Magnetic	3"	1/2"	3 oz.	\$43
922VEL	Velcro	3"	1/2"	3 oz.	\$53

Extra Labels

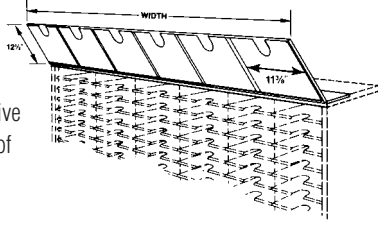
Set of label inserts in six colors (white, orange, blue, yellow, pink and green), in microperforated, 8 1/2" x 11" sheets. 14 four-sided blank label inserts per color, 84 per set. Fit in label holders (above). Use with PC and ink jet or laser printer.

Model No.	Type	Width (Ea. Label)	Height (Ea. Label)	Wt.	List Price
90155	Adhesive – Colored	3"	3/8"	1 oz.	\$5
911885	Magnetic – Colored	3"	1/2"	1 oz.	\$5
90154	Adhesive – White	3"	3/8"	1 oz.	\$5
911884	Magnetic – White	3"	1/2"	1 oz.	\$5

SORTER ACCESSORIES

Display Boards

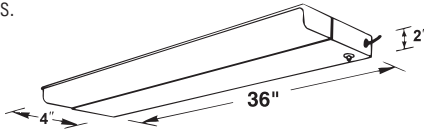
Use overhead Display Boards to post sorting instructions, etc.; they're easy to read, yet out of the way. Letter-sized sheets fit between steel frame and protective Plexiglas® cover. Mount to top of the sorter, hardware provided. Add 11 1/4" to the height of any sorter. Field-installed.



Model No.	Width	No. of Columns	Wt.	List Price
ADB3	36"	3	11#	\$370
ADB4	48"	4	14#	\$457
ADB5	60"	5	18#	\$559
ADB6	72"	6	22#	\$588

Task Lights

Task Lights illuminate worksurfaces under elevated sorters or flipper door units. Standard with 10' cord and wire management clip. White frame. UL-listed. Field-installed.



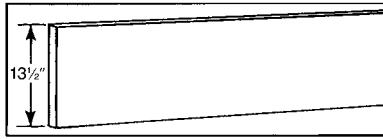
Model No.	Width	Wt.	List Price
2504K	24"	4#	\$173
3704K	36"	8#	\$223
4904K	48"	10#	\$276

*48" light for use with 60" or 72" units only.

*36" light for use with 48" units.

Tackboards

Tackboards are field-installed on the back panel of 15"-17" high elevated sorters, and flipper door units in the supervisor's workstation. For displaying notices, etc., and to improve acoustics. Gray mix fabric. All 13 1/2" H.



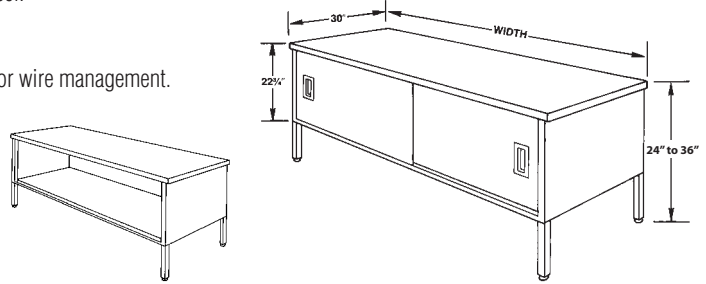
Model No.	Width	Wt.	List Price
ATB3FK	34"	6#	\$349
ATB4FK	46"	9#	\$419
ATB5FK	58"	12#	\$489
ATB6FK	70"	15#	\$531

TABLES

Built to support heavily loaded sorters or machines, Kwik-File Mailflow System tables are available in several styles and sizes.

- Table frames are of all-welded 18-gauge steel construction with an under-top reinforcement of 12-gauge steel.
- Work surfaces are of 1" thick thermally fused low-pressure laminate with medium density wood cores as standard. Add suffix LAM for high pressure laminate.
- Tops have radiused 3mm PVC edging guaranteed not to chip, crack, or peel.
- Top overhangs frame by 1" front and back and 1/8" on the sides.
- Optional front bullnose edge and grommet available.
- Back panels on all tables and consoles come with 3 standard knockouts for wire management.
- Adjustable shelf kits.
- Optional sliding doors with locks standard.
- 1,150 lb capacity, evenly distributed.

Note: Leg specifications are not applicable to the electric table.
See pages 286-287 for Table Accessories.



Storage Tables

Storage Tables provide a large storage space (28" deep by 19" high) for immediate access to needed supplies such as bags, cartons, envelopes, etc. Available with doors to hide the clutter and a lock if security is required. 1 1/2" square, 16-gauge chrome legs adjust from 24" to 36" on 1" increments. Call Customer Service for other height ranges. For a stylish front edge or additional wire management capabilities, please see below. Master key not available.

Note: 24" and 36" deep custom tables available. Call Customer Service for quotation.

Model No.	Width	Cubic Feet Storage	Doors	Shelf	Wt./Cartons	Low-Pressure Laminate List Price	Std. Laminate List Price
TS36L	36	10.5	Yes w/lock	No	146#/1	\$1959	\$2187
TS36N			No	No	129#/1	\$1542	\$1769
TS48L	48	13.5	Yes w/lock	No	172#/1	\$2193	\$2426
TS48N			No	No	155#/1	\$1705	\$1934
TS60L	60	16.5	Yes w/lock	No	198#/1	\$2445	\$2694
TS60N			No	No	180#/1	\$1922	\$2176
TS72L	72	20	Yes w/lock	No	250#/1	\$2696	\$2980
TS72N			No	No	230#/1	\$2147	\$2432

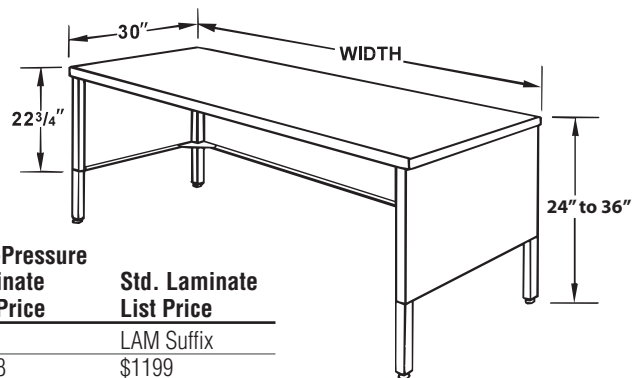
Grommet

For additional wire management select a grommet. Grommets are located towards the rear and positioned in the center of the table.

Model No. Suffix	Description	List Price
G	Multi use grommet	\$28

Work Tables

Work Tables are functional yet economical. They support sorters or machines and are enclosed on three sides, making them convenient for storing carts or other large objects on the floor. For a stylish front edge or additional wire management capabilities, please see below.



Model No.	Width	Wt.	Low-Pressure Laminate List Price	Std. Laminate List Price
TW30	30"	66#	\$1078	\$1199
TW36	36"	76#	\$1236	\$1464
TW48	48"	94#	\$1316	\$1546
❖ TW60	60"	122#	\$1529	\$1784
❖ TW72	72"	150#	\$1736	\$2018

Grommet

For additional wire management select a grommet. Grommets are located towards the rear and positioned in the center of the table.

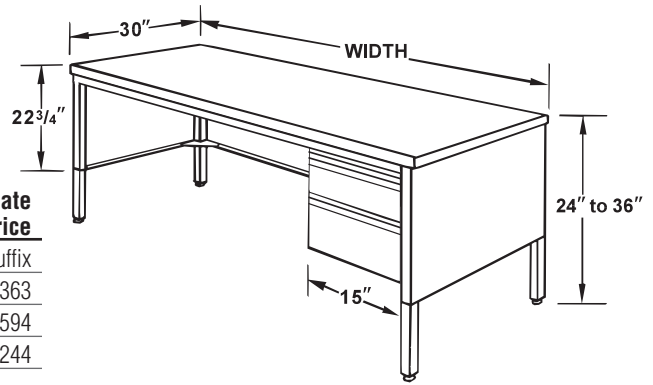
Model No. Suffix	Description	List Price
G	Multi use grommet	\$28

❖ Indicates Kwik-Ship models.

STORAGE TABLES

Pedestal Tables

For Supervisor's Workstation, or for filing or storage at any workstation. Suspended pedestal, with one box and one file drawer, lock included. Field installed; can be mounted on either left or right side, or on both sides. Pedestal measures 15 1/4"W x 21 3/4"D x 19 3/8"H.

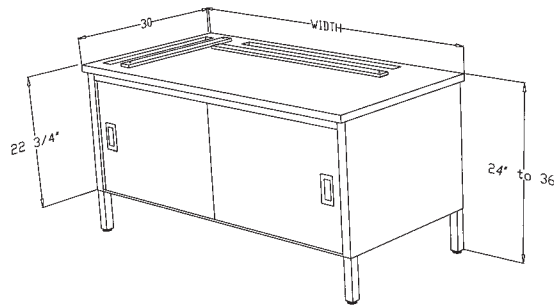


Model No.	Width	Wt.	Low-Pressure Laminate List Price	Std. Laminate List Price	LAM Suffix
TP48	48"	138#	\$2128	\$2363	
TP60	60"	166#	\$2339	\$2594	
TP72	72"	194#	\$2963	\$3244	
APED1	Pedestal only	48#	\$863	—	

TABLE AND CONSOLE ACCESSORIES

Wrapping Tables

Wrapping Tables are specially designed to accommodate either 24" or 36" paper rolls below the table top work surface. This keeps the entire top area clear for the wrapping and handling of packages. Tables for 24" paper rolls have a left side slot; tables for 36" paper rolls offer a rear slot. There is extra storage room for supplies inside all models.



Model No.	Width	Paper Size	Doors	Wt.	Low-Pressure Laminate List Price	Std. Laminate List Price	LAM Suffix
TR60DS	60"	24" Wide (side slot)	Yes	198#	\$2985	\$3243	
TR60LS			Yes w/ lock	198#	\$3049	\$3312	
TR60NS			No	180#	\$2546	\$2739	
TR60DR	72"	36" Wide (rear slot)	Yes	198#	\$3049	\$3312	
TR60LR			Yes w/ lock	198#	\$3120	\$3380	
TR60NR			No	180#	\$2613	\$2874	
TR72DS	72"	24" Wide (side slot)	Yes	250#	\$3236	\$3527	
TR72LS			Yes w/ lock	250#	\$3304	\$3595	
TR72NS			No	230#	\$2757	\$3046	
TR72DR	72"	36" Wide (rear slot)	Yes	250#	\$3306	\$3596	
TR72LR			Yes w/ lock	250#	\$3372	\$3653	
TR72NR			No	230#	\$2830	\$3113	

CORNER PLATFORM

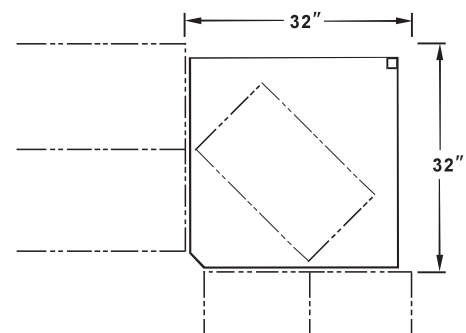
Supports 24"-wide sorter in a corner when used in L-shaped or U-shaped sorter layouts against a wall. The 32" square footprint provides better clearance at the sides of the sorter for more efficient sorting and retrieval. The TCNR Corner Platform is less expensive than the 30" x 30" TW30 Work Table, but installation is more complex.

When sorters will be in the open, or visible from the rear; or if the corner configuration will be used for a worksurface only, and not to support a sorter, we recommend specifying the TW30 Work Table instead.

The Corner Platform is supported by one leg in the rear corner, and by brackets attached to the tables on both sides. A filler panel is included (fills base-to-top gap in front between adjacent tables). Field installed.

Adjustable 1" increments, 24" - 36" H

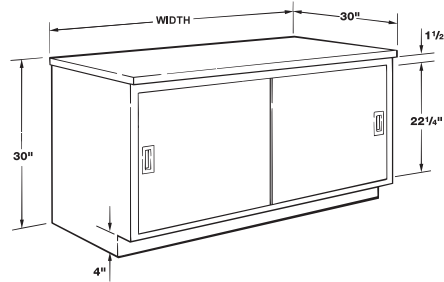
Model No.	Width	Wt.	Low-Pressure Laminate List Price	Std. Laminate List Price	LAM Suffix
TCNR	30" x 30" (fits in 32" x 32" space)	40#	\$741	\$991	



CONSOLES

Consoles are built to support heavily loaded sorters or machines, Kwik-File Mailflow Systems Consoles are available in several styles and sizes. Each console has full-height end panels with a 4" recessed toe space for a clean built-in look.

- Tops are flush on the ends with 1" overhang front and back. When placed side-by-side they give the appearance of built-in counters.
- Table frames are of all-welded, 18-gauge steel construction with an under-top reinforcement of 12-gauge steel.
- Work surfaces are standard 1" thick thermally fused low-pressure laminate with medium density wood cores. Add suffix LAM for high pressure laminates.
- Tops have radiused 3mm PVC edging guaranteed not to chip, crack, or peel.
- Available in both 30" and 36" heights.
- Optional grommet for wire management.
- Back panels have 3 standard knock-outs for wire management.
- Adjustable shelf kits ordered separately (page 286).
- Optional sliding doors with lock standard.
- Doors standard with locks.



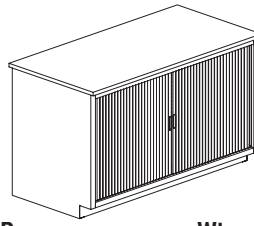
Storage Consoles

Model No.	Width	Height	Doors	Wt.	Low-Pressure Laminate List Price	Std. Laminate List Price	LAM Suffix
CL48L	48	30	Yes w/lock	172	\$2436	\$2619	
CL48N			No	155	\$1854	\$2090	
CL48NS			No	165	\$2184	\$2434	
CH48L		36	Yes w/lock	188	\$2708	\$2942	
CH48LS			Yes w/lock	198	\$3037	\$3269	
CH48NS			No	181	\$2457	\$2692	
CL60L	60	30	Yes w/lock	203	\$2522	\$2773	
CL60N			No	184	\$1963	\$2224	
CL60LS		30	Yes w/lock	213	\$2849	\$3104	
CL60NS			No	194	\$2291	\$2554	
CH60D		36	Yes	220	\$2694	\$2947	
CH60L			Yes w/lock	220	\$2759	\$3017	
CH60N		36	No	201	\$2230	\$2485	
CH60DS			Yes	230	\$3022	\$3274	
CH60LS		36	Yes w/lock	230	\$3090	\$3345	
CH60NS			No	211	\$2559	\$2813	
CL72D	72	30	Yes	234	\$2723	\$3008	
CL72L			Yes w/lock	234	\$2790	\$3073	
CL72N			No	213	\$2196	\$2479	
CL72DS		30	Yes	244	\$3052	\$3337	
CL72LS			Yes w/lock	244	\$3117	\$3400	
CL72NS			No	223	\$2525	\$2810	
CH72D		36	Yes	253	\$3011	\$3292	
CH72L			Yes w/lock	253	\$3076	\$3359	
CH72N			No	232	\$2491	\$2771	
CH72DS		36	Yes	263	\$3339	\$3621	
CH72LS			Yes w/lock	263	\$3404	\$3688	
CH72NS			No	242	\$2818	\$3103	

TAMBOUR DOOR STORAGE CONSOLE

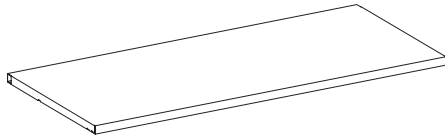
• Standard door colors: Mist, Graphite, Pebble Gray and Sand **only**.

Note: All internal components are Graphite.



Model No.	Width	Height	Depth	Doors	Wt.	Low-Pressure Laminate List Price	Std. Laminate List Price
							LAM Suffix
CL48T	48"	30"	30"	Yes w/ lock	172#	\$2830	\$3047
CH48T	48"	36"	30"	Yes w/ lock	188#	\$3085	\$3304
CL60T	60"	30"	30"	Yes w/ lock	203#	\$2908	\$3146
CH60T	60"	36"	30"	Yes w/ lock	220#	\$3135	\$3373
CL72T	72"	30"	30"	Yes w/ lock	234#	\$3157	\$3426
CH72T	72"	36"	30"	Yes w/ lock	253#	\$3349	\$3617

ADJUSTABLE SHELF/ TAMBOUR DOOR CONSOLES

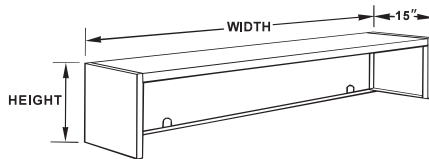


Model No.	Width	Wt.	List Price
CTS36	31"	10#	\$167
CTS48	43"	15#	\$186
CTS60	55"	20#	\$202
CTS72	67"	25#	\$219

Note: Shelf is available in Graphite and can only be used with Tambour Door Storage Console.

Accessory Platforms

Use on tables to put PC monitors, printers, etc. at good viewing height; keep work surface open for machines, etc. 15" deep; full-length paper feed slot. All-welded steel construction.



Model No.	Height	Width	Wt.	List Price
AP3017		30"	28#	\$627
AP3617		36"	35#	\$643
AP4817	17 1/4"	48"	43#	\$699
AP6017	(16" inside)	60"	46#	\$765
AP7217		72"	55#	\$852
AP3024		30"	36#	\$656
AP3624		36"	45#	\$678
AP4824	24"	48"	55#	\$766
AP6024	(22 3/4" inside)	60"	59#	\$836
AP7224		72"	70#	\$938

Grommet

For additional wire management select a grommet. Grommets are located towards the rear and positioned in the center of the table.

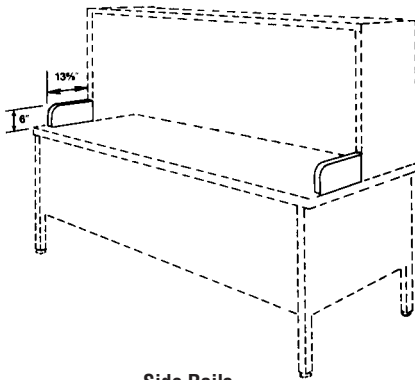
Model No. Suffix	Description	List Price
G	Multi use grommet	\$28

TABLE ACCESSORIES

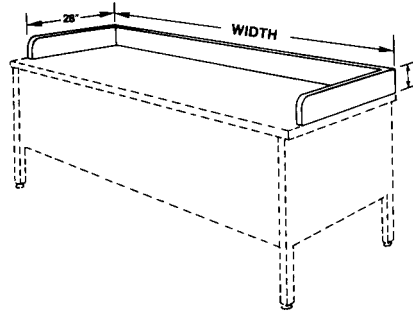
Dump Rails

For mail collection. The three-sided version provides easier access; the four-sided version is used for high-volume applications. 6" high by 3/4" thick with complementary-colored T-molding. Field-installed.

Model No.	Style	Width	Wt.	Low-Pressure Laminate List Price	Std. Laminate List Price	LAM Suffix
ADR33		36"	19#	\$332	\$449	
ADR34		48"	22#	\$370	\$474	
ADR35	3-sided	60"	25#	\$399	\$487	
ADR36		72"	27#	\$429	\$513	
ADR2	Side Rails for elev. sorter	—	5#	\$246	\$300	



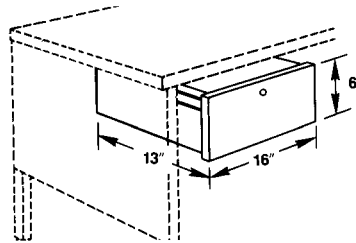
Side Rails



3-Sided Rails

Utility Drawer

To provide secured storage (lock standard) for meter heads, stamps, etc. Mounts to any table without doors. Field-installed.



Model No.	Wt.	List Price
ADRW2K	18#	\$460

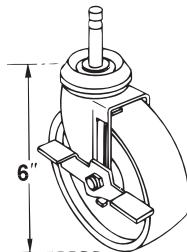
Pencil Drawer

Store pencils, other small objects. Mounts to any table without doors; field installed. Black only.

Model No.	Width	Height	Depth	Wt.	List Price
1218	21"	1 3/4"	16"	7#	\$129

Table Casters

Heavy-duty wheels with braking action; add mobility to any Kwik-File table (except Electric Height Adjustable Tables). Weight rating 500 lbs. per set of four. Field-installed.



Model No.	Description	Wt.	List Price
ACASTK	Set of 4 Casters	6.5#	\$340

SPECIALIZED WORKSTATIONS

Every mailroom or shipping area needs specialized workstations for supporting meter machines, printers and other equipment, as well as providing a place for supervisory personnel. Kwik-File offers a wide

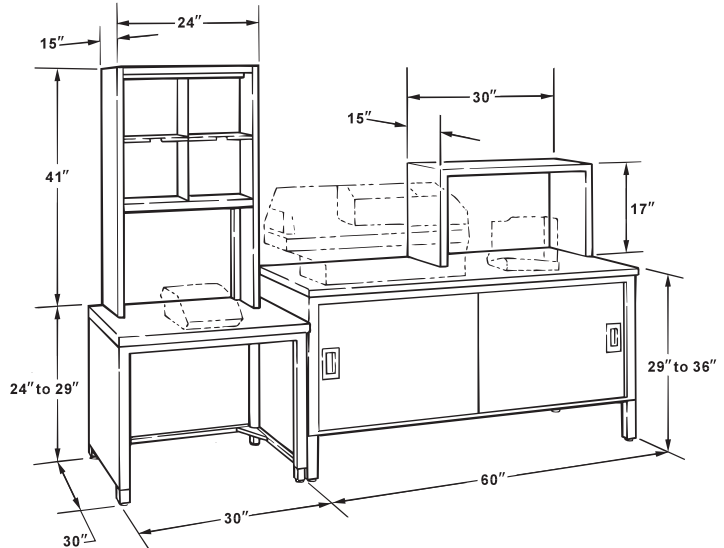
range of tables, accessory platforms, flipper door units, etc. which may be combined to accommodate a variety of specialized needs.

Meter Machine Workstation

The Meter Machine Workstation shown below combines several Mailflow Systems models to support a scale and meter machine in a typical configuration. See specifications for tables page 83, sorters pages 272-277, accessory platforms page 286; then specify the meter machine workstation configuration that best suits your needs. Call Customer Service for assistance.

This Meter Machine Workstation, as shown at right, is priced at \$5510, and includes:

Model No.	Description	List Price Each
TW30	Work Table	\$1078
SC2441EH	Elevated Sorter (17" elevation)	\$1123
SS24LM01	Shelf Support	\$45
1112P06	Shelf (2)	\$130
TS60D	Storage Table with doors	\$2377
AP3017	Accessory Platform	\$627



See specifications and prices for individual models.

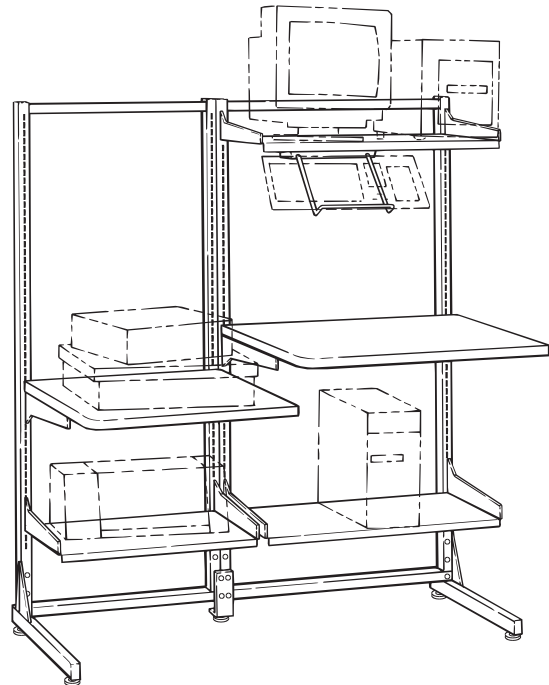
SHIPPING WORKSTATIONS

Shipping Workstation

Modular, frame-based system for shipping environments.

- Preconfigured SW1 station will support a scale, PC, keyboard, label printer and report printer.
- All components adjust on frames in 1" H increments.
- No tools required for adjustment of components.
- **Standard finishes:** Mist or Sand paint w/ Birch low-pressure laminate work surface

Model No.	Description	List Price Each
SW1	Shipping Workstation includes the following:	\$3524
3203060	Frame, 30"W x 60"H	\$560
3202460	Frame, 24"W x 60"H	\$545
350213R	Leg, single right	\$272
350213L	Leg, single left	\$272
350212	Foot, center support	\$83
3403030	Worksurface, 30"W x 30"D	\$528
3402430	Worksurface, 24"W x 30"D	\$466
3303016	Horizontal mounting shelf (2)	\$234
3302416	Horizontal mounting shelf	\$194
350100	Wire keyboard holder, single	\$135

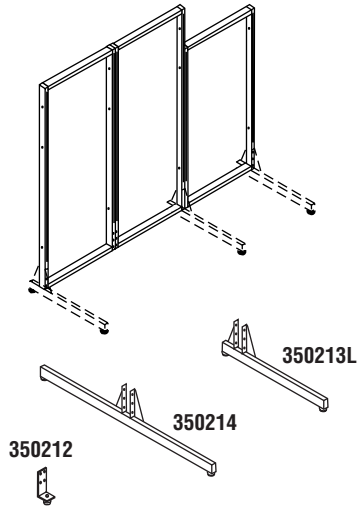


SW1 Shipping Workstation

SHIPPING WORKSTATIONS ELEMENTS

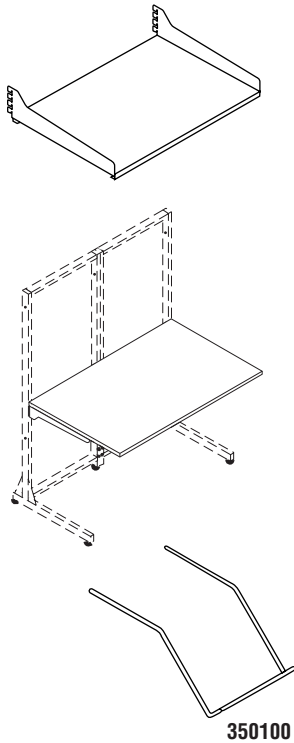
Build-your-own shipping system with individual frames, shelves, work surfaces and accessories.

- Frames are heavy-duty 11-gauge welded tubular steel.
- Frames are slotted on 1" vertical increments allowing components to connect without tools.
- Frames can be bolted together as your needs expand. 800 lbs. maximum load per frame.
- Shelves are 14-gauge steel with welded attachment brackets.
- Work surfaces are of 1" thick thermally-fused low-pressure laminate with medium density wood cores.
- **Standard finishes:** Mist or Sand paint w/ Birch low-pressure laminate work surface



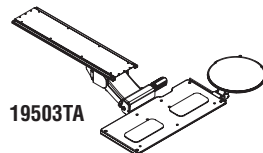
Model No.	Description	Wt.	List Price
Steel Frames			
3202460	24"W x 60"H	36#	\$545
3202472	24"W x 72"H	40#	\$585
3202484	24"W x 84"H	44#	\$642
3203060	30"W x 60"H	39#	\$560
3203072	30"W x 72"H	43#	\$596
3203084	30"W x 84"H	48#	\$656
3203660	36"W x 60"H	40#	\$580
3203672	36"W x 72"H	47#	\$607
3203684	36"W x 84"H	48#	\$666
Leg Options			
350212	Foot, center support	2#	\$83
350213R	Leg, single right	13#	\$272
350213L	Leg, single left	13#	\$272
350214	Leg, double-sided (universal)	11#	\$338
350215	Casters for frame (pair; 1 locks)	4#	\$138

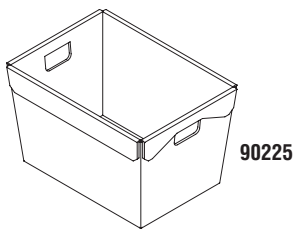
SHIPPING WORKSTATIONS



Model No.	Description	Wt.	List Price
Horizontal Mounting Shelf, steel (includes mounting brackets)			
3302416	Shelf, 24"W x 16"D	16#	\$194
3303016	Shelf, 30"W x 16"D	19#	\$234
3303616	Shelf, 36"W x 16"D	20#	\$302
3304816	Shelf, 48"W x 16"D	27#	\$438
3305416	Shelf, 54"W x 16"D	24#	\$463
3306016	Shelf, 60"W x 16"D	32#	\$491
Desk Worksurface (includes mounting brackets)			
3402430	Worksurface, 24"W x 30"D	24#	\$466
3403030	Worksurface, 30"W x 30"D	30#	\$528
3403630	Worksurface, 36"W x 30"D	34#	\$585
3404830	Worksurface, 48"W x 30"D	45#	\$699
3406030	Worksurface, 60"W x 30"D	56#	\$911
3407230	Worksurface, 72"W x 30"D	78#	\$993
3409030	Worksurface, 90"W x 30"D	96#	\$1258
350220	Adjustable front support leg	4#	\$175
Keyboard Accessories			
350100	Wire keyboard holder, single unit	3#	\$135
19503TA*	Combination keyboard/mouse platform 19"W x 8 1/4"D, 9"Dia. mouse platform	15#	\$545

*Available in Black Only.



TOTES (NOTE: Not on GSA)**Totes**

Totes of lightweight, high-density polyethylene with 3/8" dia. galvanized wire rod reinforcement at top. Available in packages of 3.

Model No.	Description	Width	Height	Depth	Wt.	List Price
❖ 90225	Totes (3)	13 1/4"	11 1/2"	18 1/4"	8#	\$165

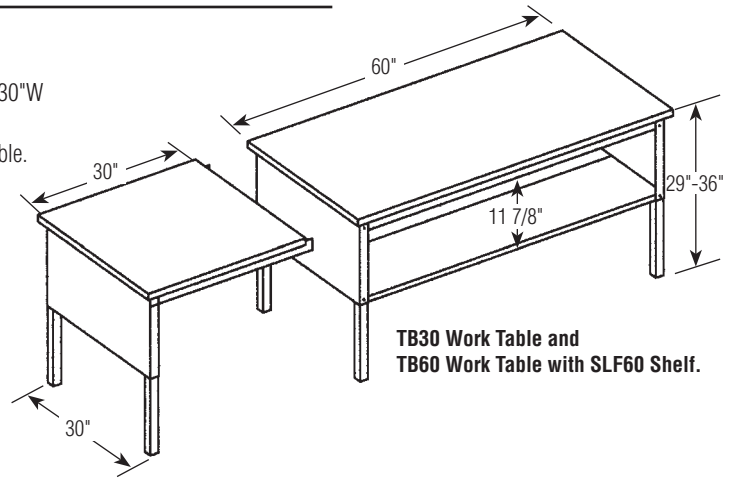
❖ Indicates Kwik-Ship models.

The perfect solution for smaller organizations needing economical and functional mail center furniture.

- Rugged steel frame construction with 1" thick thermally-fused low-pressure laminate work surfaces.
- 500 lb. weight capacity.
- Ready to assemble.
- **Standard Finishes:** Pebble Gray paint with Birch low-pressure laminate work surfaces **only**.

Work Table

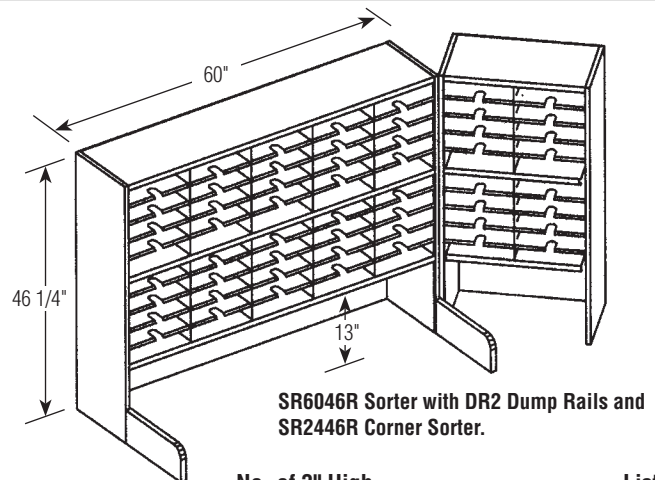
- Choice of either a 48"W or a 60"W rectangular table with attaching 30"W corner table.
- Corner table has two legs and must be installed adjacent to work table.
- Legs are 1 1/2" square, 16-gauge brushed chrome tubular steel.
- Tables adjust from 29" - 36"H on 1" increments.
- Work surfaces have 3mm PVC edge.
- 48"W and 60"W table has optional Shelf for under surface storage.
- SLF48 and SLF60 each have 75 lb. capacity.



Model No.	Description	Width	Height	Depth	Wt.	List Price
TB48	48"W Work Table	48"	29" - 36"	30"	90#	\$738
SLF48	Shelf for 48"W Work Table	44"	1"	25 1/2"	20#	\$173
TB60	60"W Work Table	60"	29" - 36"	30"	112#	\$976
SLF60	Shelf for 60"W Work Table	56"	1"	25 1/2"	25#	\$185
TB30	30"W Work Table	30"	29" - 36"	30"	53#	\$700
1219	Pencil Tray (Black Only)	21"	1 3/4"	16"		\$129

Sorters

- Standard pocket dimension: 11 5/8"W x 2 5/8"H x 13 1/4"D. Shelves are fixed.
- Pockets sized to accommodate commonly used 10" x 13" flat envelopes.
- 48"W and 60"W sorters available in multiple heights, with or without elevated riser.
- 24"W sorter available in a two-tier with riser configuration only.
- Optional side dump rails, task light, and label holders.
- Durable steel construction, ready to assemble.

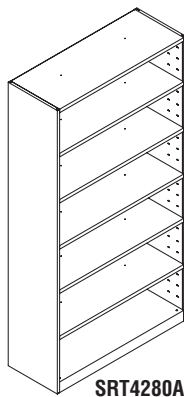
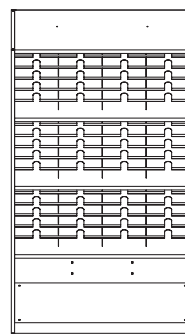
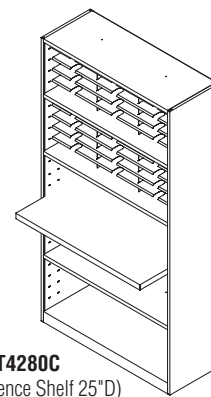


Model No.	Description	Width	Depth	Height	No. of 3" High Sorting Pockets	Wt.	List Price
SR4833R	1-tier, riser	48"	13 1/4"	33 1/4"	20	91#	\$850
SR4833	2-tier, no riser	48"	13 1/4"	33 1/4"	40	133#	\$1066
SR4846R	2-tier, riser	48"	13 1/4"	46 1/4"	40	146#	\$1319
SR6033R	1-tier, riser	60"	13 1/4"	33 1/4"	25	113#	\$863
SR6033	2-tier, no riser	60"	13 1/4"	33 1/4"	50	166#	\$1122
SR6046R	2-tier, riser	60"	13 1/4"	46 1/4"	50	182#	\$1398
SR2446R	Corner sorter	24"	13 1/4"	46 1/4"	20	85#	\$846
DR2	Dump rails	15"	3/4"	6"		5#	\$119
4904K	48W task light (used for 60" sorters) – 48"W x 4"D x 2"H					10#	\$276
3704K	36W task light (used for 48" sorters) – 36"W x 4"D x 2"H					8#	\$223
90145	Label holders (set of 20) – Adhesive					1 oz.	\$27
911785	Label holders (set of 20) – Magnetic					3 oz.	\$43
922VEL	Label holders (set of 20) – Velcro					3 oz.	\$53

MAILFLOW-TO-GO (NOTE: Not on GSA)**Mailflow-To-Go Cabinets**

These reconfigurable Mailflow-to-Go cabinets are a perfect addition to any mail or storage room. Their clever design uses one standard cabinet with any of three internal configurations creating a mail sort station, literature organizer or a standard shelving unit for bulk storage.

- Cabinet measures 42"W x 80"H x 16"D.
- Weight capacity 50 lbs. per shelf.
- Three unique configurations (Mail, Literature or Bulk Storage).
- Ships in 3 days or less.
- Easy to assemble, no hardware required.
- Available in Pebble Gray only.

**SRT4280A****SRT4280B****SRT4280C**

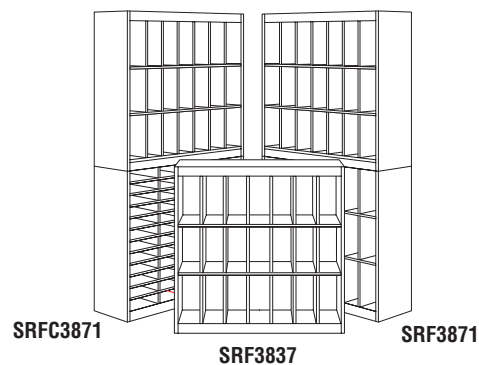
(Note: Reference Shelf 25"D)

Model No.	Configuration	Doors	No. of Shelves/Pockets	Pocket Dimensions	Wt.	List Price
SRT4280A	Bulk Storage	N	5 adjustable shelves		154#	\$1371
SRT4280B	Literature/Forms	N	72 pockets	10 1/8"W x 12 3/4"D x 2 3/4"H	234#	\$2168
SRT4280C	Mail	N	30 pockets	13 1/8"W x 12 3/4"D x 2 1/8"H	202#	\$1963
SRTD4280A	Bulk Storage	Y	5 adjustable shelves		204#	\$1942
SRTD4280B	Literature/Forms	Y	72 pockets	10 1/8"W x 12 3/4"D x 2 3/4"H	284#	\$2627

VertiPocket Sorters

- All models measure 37 3/4"W x 12 3/4"D.
- Vertical pockets measure 4 7/8"W x 10 1/4"H x 12 1/2"D.
- Horizontal pockets in Combination Sorter measure 8 3/4"W x 2 1/4"H x 12 1/2"D.
- Steel frame with corrugated dividers and recycled paperboard back.
- Weight capacity of 5 lbs. per opening.
- Ready to assemble.

Standard Finishes: Pebble Gray **only**.

**SRFC3871****SRF3837****SRF3871**

Model No.	Description	Height	No. of Pockets	Wt.	List Price
SRF3837	VertiPocket	37"	21	40#	\$384
SRF3871	VertiPocket	71"	42	80#	\$678
SRFC3871	Combination	71"	48 horizontal, 21 vertical	88#	\$754