

- Single-handed center control mechanism for convenient flip of the top
- Minimal assembly required, installs in minutes
- Tables straight-row nest for compact storage
- Integrated modesty panel with built-in cable trough
- Tables can be connected together by using ganging kit (included)
- Overall table height: 29½", four 3" locking casters
- 150 lb. weight capacity, evenly distributed
- Tables available with Silver frame, and tops in either Thermally Fused Laminate (TFL) with standard T-Mold or High Pressure Laminate (HPL) with your choice of (3) edge treatments
- HPL Edge Treatments: 3mm (H3), Knife-Edge (HK) or Standard T-Mold (HT) available in corporate edge colors
- Manufactured cutouts (5¼ x 3") for daisy chain electrical kits available on 30"D rectangular tables (one centered cutout per table, Grommet not included), add "E" suffix and \$30 list upcharge per cutout
- See Training Tables Power Options pg 230 for surface mount kits
- Silver Base only
- Tables are shipped in two boxes
- 6½" between tables when nested
- USB Power options not available on 24"D or 18"D tables

## How to Specify

Start with base model number and **SELECT ONE CODE FROM EACH OF THE OPTIONS** to complete your final model number for ordering:

Select MODEL NUMBER (ie., SY2448)	Step 1: Select [✦] CUTOUT (OPTIONAL)	Step 2: Select [■] LAMINATE/EDGE TYPE
	E = Rectangular (Cutout Only) (Add \$30 List)	H3 = HPL Laminate /3mm Edge
	G = Center Grommet (Add \$30 List)	HK = HPL Laminate /Knife Edge HT = HPL Laminate /T-Mold Edge
	M = Left/Right (2) Grommets (Add \$60 List)	T = TFL Laminate /T-Mold Edge

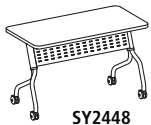
Add codes to indicate your selections: E (Rectangular Cutout Only) H3 (HPL Laminate /3mm Edge)

The final Model Number for Base Product SY2448 with the highlighted selections would be SY2448-E-H3 (or SY2448EH3).

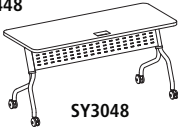
• See next page for Cutout and Laminate/Edge options

Note: All non-standard cutouts (other than above) will be reviewed to determine if the cutout does not interfere with the base, degrade table strength or cause imbalance. Contact [specials@safcoproducts.com](mailto:specials@safcoproducts.com) for quote request and drawing signoff will be required before order is processed.

# Sync™ Conference/Training Tables

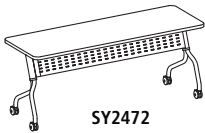


SY2448

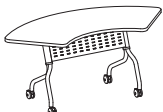


SY3048

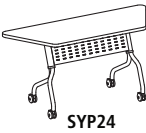
Shown with optional manufactured cut-outs for daisy chain electrical kits.



SY2472



SYC24



SYP24



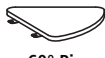
SYT24



SYT30



30° Pie



60° Pie



90° Pie

### Rectangular Surfaces GSA

Model No.	Description	Wt.	Available Cutouts	TFL List Price "T" Suffix	HPL List Price HT, HK or H3 Suffix
<span style="border: 1px solid black; border-radius: 50%; padding: 2px;">S</span> SY1848	48 x 18" Rectangular	66	G	721.00	789.00
<span style="border: 1px solid black; border-radius: 50%; padding: 2px;">S</span> SY1854	54 x 18" Rectangular	71	G	773.00	832.00
<span style="border: 1px solid black; border-radius: 50%; padding: 2px;">S</span> SY1860	60 x 18" Rectangular	76	G,M	789.00	872.00
<span style="border: 1px solid black; border-radius: 50%; padding: 2px;">S</span> SY1866	66 x 18" Rectangular	80	G,M	816.00	891.00
<span style="border: 1px solid black; border-radius: 50%; padding: 2px;">S</span> SY1872*	72 x 18" Rectangular	86	G,M	839.00	926.00
<span style="border: 1px solid black; border-radius: 50%; padding: 2px;">S</span> SY2448	48 x 24" Rectangular	76	G	789.00	872.00
<span style="border: 1px solid black; border-radius: 50%; padding: 2px;">S</span> SY2454	54 x 24" Rectangular	82	G	840.00	922.00
<span style="border: 1px solid black; border-radius: 50%; padding: 2px;">S</span> SY2460	60 x 24" Rectangular	86	G,M	872.00	962.00
<span style="border: 1px solid black; border-radius: 50%; padding: 2px;">S</span> SY2466*	66 x 24" Rectangular	92	G,M	906.00	1,009.00
<span style="border: 1px solid black; border-radius: 50%; padding: 2px;">S</span> SY2472*	72 x 24" Rectangular	96	G,M	926.00	1,030.00
<span style="border: 1px solid black; border-radius: 50%; padding: 2px;">S</span> SY3048	48 x 30" Rectangular	86	E,G	858.00	962.00
<span style="border: 1px solid black; border-radius: 50%; padding: 2px;">S</span> SY3054*	54 x 30" Rectangular	93	E,G	899.00	1,005.00
<span style="border: 1px solid black; border-radius: 50%; padding: 2px;">S</span> SY3060*	60 x 30" Rectangular	99	E,G,M	945.00	1,046.00
<span style="border: 1px solid black; border-radius: 50%; padding: 2px;">S</span> SY3066*	66 x 30" Rectangular	105	E,G,M	976.00	1,080.00
<span style="border: 1px solid black; border-radius: 50%; padding: 2px;">S</span> SY3072*	72 x 30" Rectangular	111	E,G,M	1,009.00	1,113.00

\*Models that do not ship via small parcel

### Crescent Surfaces (48" Radius) GSA

SYC24	67 x 24" Crescent	78	-	891.00	979.00
-------	-------------------	----	---	--------	--------

### Trapezoid Surfaces GSA S

SYP24	60 x 24" Trapezoid	78	-	891.00	979.00
-------	--------------------	----	---	--------	--------

### Transition Surfaces GSA

SYT24	48" W x 24" D	78	-	946.00	1,016.00
SYT30	60" W x 30" D	100	-	974.00	1,044.00

### Pie Connectors GSA S

P3018	18" x 30° Pie	4	-	260.00	291.00
P6018	18" x 60° Pie	8	-	273.00	305.00
P9018	18" x 90° Pie	12	-	291.00	322.00
P3024	24" x 30° Pie	6	-	260.00	291.00
P6024	24" x 60° Pie	12	-	273.00	305.00
P9024	24" x 90° Pie	18	-	291.00	322.00
P3030	30" x 30° Pie	8	-	260.00	291.00
P6030	30" x 60° Pie	16	-	273.00	305.00
P9030	30" x 90° Pie	22	-	291.00	322.00

Cutout Options [♣]

"E" - \$30 List upcharge

(1) Manufactured rectangular cutout 5 1/4 x 3" for daisy chain electrical kits only. Grommet caps not included with cutout.

See page 230 for available kit options.



Cutout-E

"G" - \$30 List upcharge

(1) Manufactured round cutout 1 3/4" in diameter located in center approach side of top. Includes grommet cap. Black only.



Cutout-G

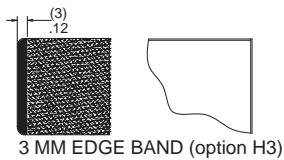
"M" - \$60 List upcharge

(2) Manufactured round cutouts 1 3/4" diameter located on right and left approach side of top. Includes (2) grommet caps. Black only.

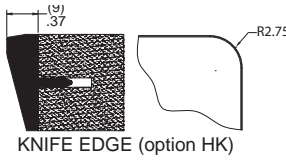


Cutout-M

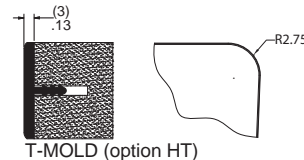
Laminate Edge Type [■]



3 MM EDGE BAND (option H3)



KNIFE EDGE (option HK)

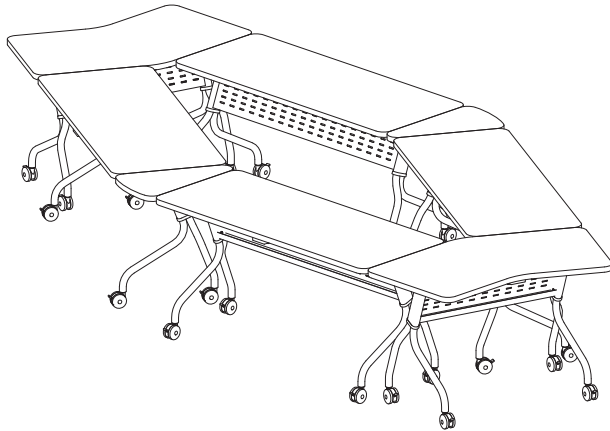


T-MOLD (option HT)

Note: All non-standard cutouts (other than above) will be reviewed to determine if the cutout does not interfere with the base, degrade table strength or cause imbalance. Contact [specials@safcoproducts.com](mailto:specials@safcoproducts.com) for quote request and drawing signoff will be required before order is processed.

Sync™ Conference/Training Tables - Idea Starters

• Must order by individual model numbers.

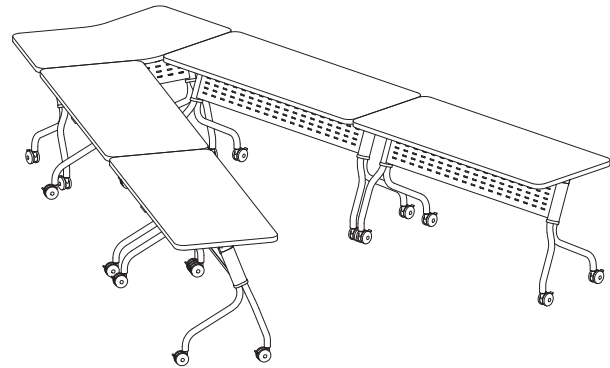


Sync Typical #1

Consists of:

Qty.	Model No.	Description	List Price Each
4	SY2460T	Rectangular Table, 24 x 60"	872.00
2	SYT24T	24"D Transition Table	946.00
2	P3024T	24" x 30° Pie	260.00

Total: 5,900.00

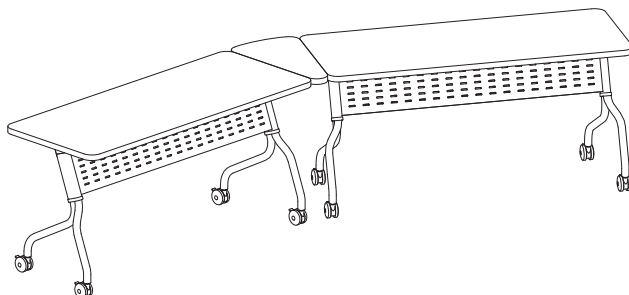


Sync Typical #2

Consists of:

Qty.	Model No.	Description	List Price Each
4	SY2460T	Rectangular Table, 24 x 60"	872.00
1	SYT24T	24"D Transition Table	946.00

Total: 4,434.00



Sync Typical #3

Consists of:

Qty.	Model No.	Description	List Price Each
2	SY2460T	Rectangular Table, 24 x 60"	872.00
1	P3024T	24" x 30° Pie	260.00

Total: 2,004.00