

- Cabinet at base of each section required
- Maximum weight to be placed on the lower portion of the wall
- Available with polished aluminum uprights, Tech Silver feet and e5™ laminate colors

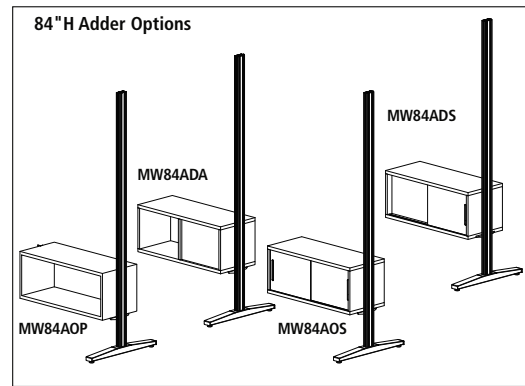
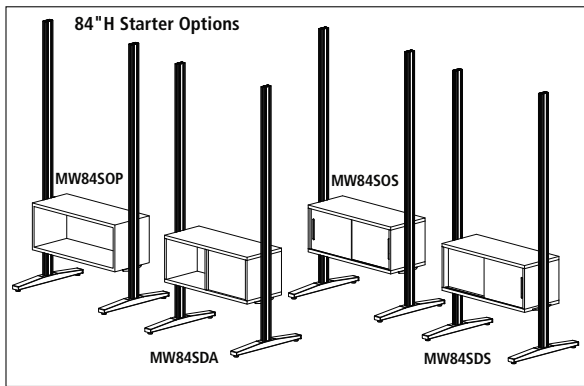
### Laminate Colors (TFL)

- Biltmore Cherry - LCRM
- Cocoa - 5AGX
- Summer Suede - 5AGY
- White - 5AGZ
- Walnut - 5AHA
- Raven - 5AHB

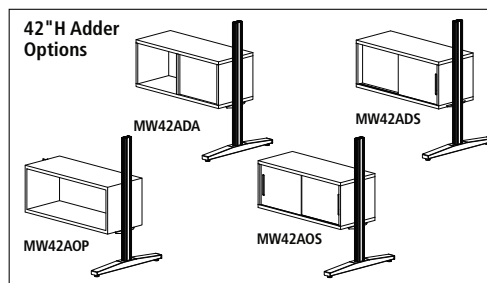
## KEEP™ BUILD-A-WALL WITH STARTER KITS AND ADDER OPTIONS

- 1] Select Starter Kit Size (84"H or 42"H) with cabinet style of your choice
- 2] Add additional components (see optional component section) to build your wall
- 3] If more than one wall section is desired, select appropriate Adder Configuration and additional components to extend wall horizontally

Model No.	Description	Dimensions	List Price
<b>84"H Starter Wall Configurations</b>			
MW84SOP	Starter Wall with Open Cabinet	39"W x 28"D x 84"H	1,586.00
MW84SDA	Starter Wall with Dual Access Cabinet	39"W x 28"D x 84"H	1,618.00
MW84SOS	Starter Wall with Open Cabinet with Two Sliding Doors	39"W x 28"D x 84"H	2,009.00
MW84SDS	Starter Wall with Dual Access Cabinet with One Sliding Door on Each Side	39"W x 28"D x 84"H	2,061.00
<b>84"H Adder Wall Configurations</b>			
MW84AOP	Adder Wall with Open Cabinet	37½"W x 28"D x 84"H	1,163.00
MW84ADA	Adder Wall with Dual Access Cabinet	37½"W x 28"D x 84"H	1,194.00
MW84AOS	Adder Wall with Open Cabinet with Two Sliding Doors	37½"W x 28"D x 84"H	1,586.00
MW84ADS	Adder Wall with Dual Access Cabinet with One Sliding Door on Each Side	37½"W x 28"D x 84"H	1,638.00



Model No.	Description	Dimensions	List Price
<b>42"H Starter Wall Configurations</b>			
MW42SOP	Starter Wall with Open Cabinet	39"W x 28"D x 42"H	1,374.00
MW42SDA	Starter Wall with Dual Access Cabinet	39"W x 28"D x 42"H	1,406.00
MW42SOS	Starter Wall with Open Cabinet with Two Sliding Doors	39"W x 28"D x 42"H	1,797.00
MW42SDS	Starter Wall with Dual Access Cabinet with One Sliding Door on Each Side	39"W x 28"D x 42"H	1,850.00
<b>42"H Adder Wall Configurations</b>			
MW42AOP	Adder Wall with Open Cabinet	37½"W x 28"D x 42"H	951.00
MW42ADA	Adder Wall with Dual Access Cabinet	37½"W x 28"D x 42"H	983.00
MW42AOS	Adder Wall with Open Cabinet with Two Sliding Doors	37½"W x 28"D x 42"H	1,374.00
MW42ADS	Adder Wall with Dual Access Cabinet with One Sliding Door Each Side	37½"W x 28"D x 42"H	1,427.00

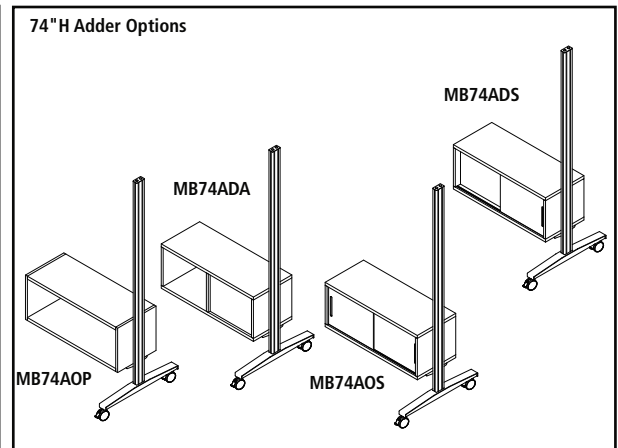
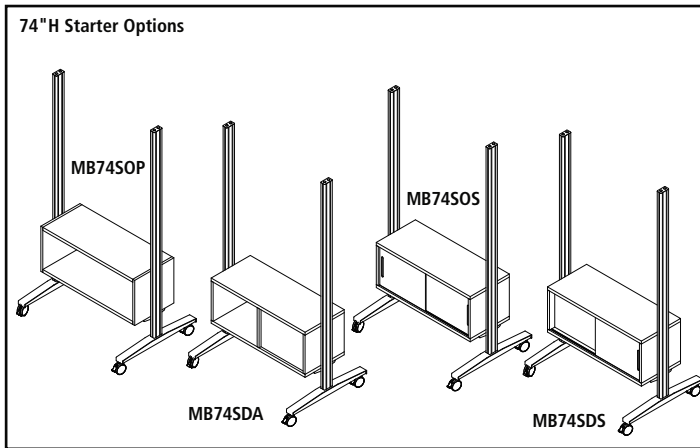


- Monitor brackets to the Starter Storage Unit easily move unit from room-to-room
- Keep Mobile is 74" high to ensure doorway passage
- Premium White & Gray 80 mm soft locking casters

**KEEP™ BUILD-A-MOBILE-WALL** 


- 1) Select Starter Kit with cabinet style of your choice
- 2) Add additional components (see optional component section) to build your wall
- 3) If more than one wall section is desired, select appropriate Adder Typical and additional components to extend wall horizontally

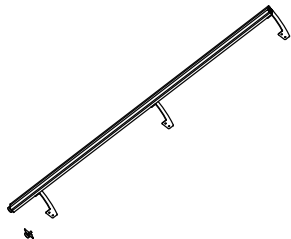
Model No.	Description	Dimensions	List Price
<b>74" Starter Mobile Wall Configurations</b>			
MB74SOP	74" Starter with Open Cabinet	39"W x 28"D x 74"H	1,586.00
MB74SDA	74" Starter with Dual Access Cabinet	39"W x 28"D x 74"H	1,618.00
MB74SOS	74" Starter with Open Cabinet with Two Sliding Doors	39"W x 28"D x 74"H	2,009.00
MB74SDS	74" Starter with Dual Access Cabinet with One Sliding Door on Each Side	39"W x 28"D x 74"H	2,061.00
<b>74"H Adder Mobile Wall Configurations</b>			
MB74AOP	74" Adder with Open Cabinet	37½"W x 28"D x 74"H	1,163.00
MB74ADA	74" Adder with Dual Access Cabinet	37½"W x 28"D x 74"H	1,194.00
MB74AOS	74" Adder with Open Cabinet with Two Sliding Doors	37½"W x 28"D x 74"H	1,586.00
MB74ADS	74" Adder with Dual Access Cabinet with One Sliding Door on Each Side	37½"W x 28"D x 74"H	1,638.00



Note: Refer to page 91 for three Keep Mobile Idea Starters

**KEEP™ OPTIONAL COMPONENTS**

**KEEP MODULAR WALL - 90 AND 120° KITS** 

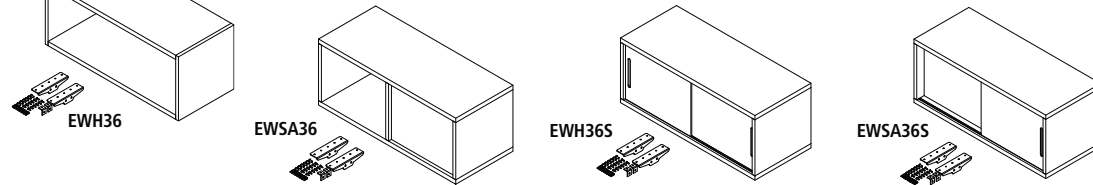


Model No.	Dimensions	Hardware Included	List Price
MW90BK	84" H Upright with Leveler	(3) Brackets 11¾" W ea.	556.00
MW90BKS	42" H Upright with Leveler	(3) Brackets 11¾" W ea.	418.00
MW120BK	84" H Upright with Leveler	(3) Brackets 8" W ea.	539.00
MW120BKS	42" H Upright with Leveler	(3) Brackets 8" W ea.	402.00

**KEEP™ CABINET KITS (ATTACHMENT HARDWARE INCLUDED)** 

- EWSA36 and EWSA36S are dual-access
- Sliding doors only available in White (writable) acrylic

Model No.	Description	Dimensions	Weight	List Price
<b>EWS36</b>	Flat Shelf	36"W x 15¼"D x 1"H	20	359.00
<b>EWH36</b>	Open (No Doors/1-Sided)	36"W x 15¼"D x 15"H	78	523.00
<b>EWSA36</b>	2-Sided	36"W x 15¼"D x 15"H	81	593.00
<b>EWH36S</b>	Open with Two Sliding Doors (optional Tack Board Back)	36"W x 15¼"D x 15"H	85	813.00
<b>EWSA36S</b>	2-Sided with One Sliding Door per Side (optional ½ Tack Board)	36"W x 15¼"D x 15"H	85	872.00



**CANTILEVERED WORK SURFACES** 

- Cantilevered surface kits include work surface, optional cutouts, adjustable height leg to accommodate seated and standing-height and hardware kit
- Options to have manufactured grommet cutouts for the EZSCK4 electrical kit or a conferencing unit available
- EZSCK4 module consists of (4) power, (2) 2.1 amp USB and a 108" plug-in cord. Available in Silver-HK5, White-G5 and Black-S5
- Work surfaces available in six e5 TFL colors; HPL options also available. Add "H" after the model no., i.e. EWCATKH and use the HPL (+H) List Price

**Laminate Colors**

Biltmore Cherry - LCRM, Cocoa - 5AGX, Summer Suede - 5AGY, White - 5AGZ, Walnut - 5AHA, Raven - 5AHB

Model No.	Description	Dimensions	List Price	HPL List + H
<b>EWCATK</b>	Cantilevered Surface, no cutout	72"W x 36"D x 29 - 42"H	1,053.00	1,105.00
<b>EWCATKE</b>	Cantilevered Surface with MFD Electrical Module Cutout 2" W x 8¼" L for EZSCK4 only. Kit listed below.	72"W x 36"D x 29 - 42"H	1,079.00	1,153.00
<b>EWCATKM</b>	Cantilevered Surface with MFD Cutout 7½" W x 12⅝" L to accommodate meeting/conferencing unit.	72"W x 36"D x 29 - 42"H	1,095.00	1,174.00
<b>EWCATKD</b>	Dual Tables - each side of Keep unit; No Cutouts	72"W x 36"D x 29 - 42"H	2,105.00	2,211.00
<b>EWCATKDE</b>	Dual tables - each side of Keep unit with MFD Electrical Module Cutout 2" W x 8¼" L for EZSCK4 only. Kit listed below.	72"W x 36"D x 29 - 42"H	2,158.00	2,306.00
<b>EWCATKDM</b>	Dual Tables - each side of Keep unit with MFD Cutout 7½" W x 12⅝" L to accommodate meeting/conferencing unit.	72"W x 36"D x 29 - 42"H	2,190.00	2,349.00
<b>EWCHTK</b>	Hexagon Surface, no Cutouts	84"W x 36 - 60"D x 29 - 42"H	2,470.00	2,523.00
<b>EWCHTKE</b>	Hexagon Surface with MFD Electrical Module Cutout Cutout 2" W x 8¼" L for EZSCK4 only. Kit listed below.	84"W x 36 - 60"D x 29 - 42"H	2,528.00	2,602.00
<b>EWCHTKM</b>	Hexagon Surface - with MFD Cutout 7½" W x 12⅝" L to accommodate meeting/conferencing unit.	84"W x 36 - 60"D x 29 - 42"H	2,544.00	2,623.00

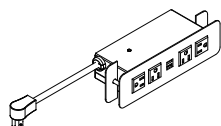
**KEEP™ TETHER BRACKET KIT** 

- Tether two Keep Mobile units together with magnetic bracket kit
- Dual painted steel bracket
- Ceramic Magnet - 80 lb. pull
- Can be added to existing Keep Mobile units
- Minimal assembly required

Model No.	Descriptions	Dimensions	Weight	List
<b>MBTBK</b>	Magnetic Tether Bracket Kit	3¼" x 3½" x 3"	6	159.00



**SURFACE ELECTRICAL KITS - PLUG-IN** 

- Each kit is for one cutout. Order two kits for dual tables
- Available in Silver-HK5, White-G5, and Black-S5



Model No.	Description	Power/USB Details	List Price
<b>EZSCK4</b>	Keep Cantilevered Table Electrical Kit - Flush Module Base	4 power receptacles, 2 USB connectors with 108" plug-in cord	639.00

- Stationary unit - Silver; portable unit - Gloss White

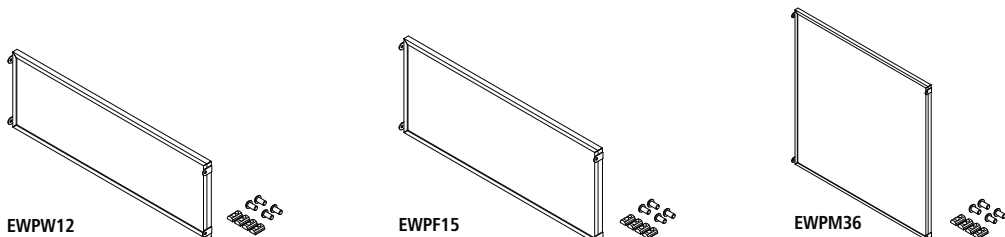
Model No.	Description	Dimensions	List Price
EZMR 	Grommet Mounted HDMI Stationary Unit Includes 4 power, (4) 2.1A USB charging ports, 4 HDMI Show Me cables, HDMI 4 position switch box 2 plate cutouts, 15' HDMI monitor cable, 108" cord.	13¼" W x 8" D x 9½" H	9,404.00
EZGA 	Portable Meeting Technology Includes 4 power, (4) 2.1A USB charging ports, 4 HDMI Show Me cables, HDMI 4 position switch box 15' HDMI monitor cable, 108" cord and Black Carry Case.	14¾" W x 11¾" D x 4½" H	10,541.00

**PANEL KITS** 

- Attachment Hardware included

Model No.	Dimensions	List Price	
<b>Two-Sided HPL Dry Erase Boards</b>			
EWPW12	35¾" W x 12" H	316.00	
EWPW15	35¾" W x 15" H	401.00	
EWPW30	35¾" W x 30" H	528.00	
EWPW36	35¾" W x 36" H	580.00	
Model No.	Dimensions	Std. List Price	Prem.(+P)*
<b>Two-Sided Same (1) Fabric on Both Sides (Select Guilford of Maine Panel Fabric)*</b>			
EWPF12	35¾" W x 12" H	422.00	528.00
EWPF15	35¾" W x 15" H	506.00	612.00
EWPF30	35¾" W x 30" H	708.00	813.00
EWPF36	35¾" W x 36" H	898.00	1,003.00
<b>Two-Sided (2) Fabric - Different fabric on each side (Select Guilford of Maine Panel Fabric)*</b>			
EWFFF12	35¾" W x 12" H	444.00	549.00
EWFFF15	35¾" W x 15" H	528.00	634.00
EWFFF30	35¾" W x 30" H	729.00	835.00
EWFFF36	35¾" W x 36" H	919.00	1,025.00
Model No.	Dimensions	List Price	
<b>Two-Sided Porcelain-Coated Steel over MDF on Both Sides (Magnetic White)</b>			
EWPM12	35¾" W x 12" H	474.00	
EWPM15	35¾" W x 15" H	560.00	
EWPM30	35¾" W x 30" H	665.00	
EWPM36	35¾" W x 36" H	739.00	
Model No.	Dimensions	Std. List Price	Prem.(+P)*
<b>One-Sided Porcelain-Coated Steel over MDF (Magnetic White) / One-Side Fabric</b>			
EWPFM12	35¾" W x 12" H	719.00	770.00
EWPFM15	35¾" W x 15" H	762.00	813.00
EWPFM30	35¾" W x 30" H	836.00	877.00
EWPFM36	35¾" W x 36" H	952.00	1,003.00

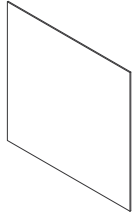
\* Select fabric from Guilford of Maine panel fabric or go to website for fabrics listed in Corporate Color Program, these are standard, any other Guilford panel fabric is considered premier add (+P) to model and use (Prem. + P) pricing above.



# Acrylic Panels

## ACRYLIC PANELS

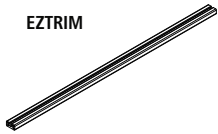
- Available as **standard** in frosted acrylic to match e5 panels or in **White acrylic (writable)** to match e5™ sliding doors on overhead cabinets
- Additional acrylic color options are available at an additional cost. **\*Add "C"** (example: EWPA12C) to the model number and choose from the following colors: Laguna-LQ, Sunshine-SY, Pumpkin-PO, Kiwi-KL, Tomato-TR\*
- Note: These acrylic color options are applicable to the Keep acrylic panels only; and are NOT the same color options as the e5™ colored glass door options



Model No.	Dimensions	List Price/ Frosted or White	*List Price Other Colors - Add "C" after Model #
EWPA12	35 3/4" W x 12" H	164.00	238.00
EWPA15	35 3/4" W x 15" H	185.00	280.00
EWPA18	35 3/4" W x 18" H	227.00	344.00
EWPA24	35 3/4" W x 24" H	296.00	455.00
EWPA30	35 3/4" W x 30" H	460.00	640.00
EWPA36	35 3/4" W x 36" H	477.00	677.00
EWPA50	35 3/4" W x 50" H	682.00	925.00
EWPA60	35 3/4" W x 60" H	820.00	1,164.00

## ACRYLIC PANEL TRIM KITS

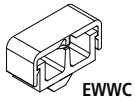
- Aluminum extruded top trim piece for use with single or back-to-back acrylic panels installed in Keep Modular Walls. Made of same material as Keep uprights
- Must be installed in conjunction with acrylic panels and the gasket that holds the panel in place



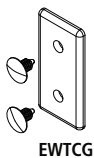
Model No.	Dimensions	List Price
EZTRIM	36" W x 3/4" H x 1 1/2" D	79.00
EZTRIMD	36" W x 3/4" H x 3" D	121.00



## ACCESSORIES



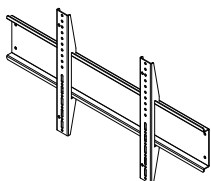
Model No.	Description	Dimensions	List Price
<b>Wire Management Cable Clip</b>			
EWWC	Cable Clip for wire management	1 1/2" W x 1" D	12.00
<b>Top Caps</b>			
EWTCG	Gray Top Caps	1 1/2" W x 3" D	9.00
FWCAST	Premium Caster Kit (4) White & Gray; locking		72.00



<b>Back of Dual-Access Cabinet Option</b>			Std.	Prem. (+P)
EZTKB16	Tack Board*	16 1/2" W x 12 1/2" D x 1/2" H	113.00	200.00
EZDEB16	Dry Erase Board	16 1/2" W x 12 1/2" D x 1/2" H	134.00	
<b>Marker Tray – Sized to fit half of the back of EWSA36 &amp; EWSA36S Cabinets</b>				
EWTRAY	Aluminum Extruded Tray	36" W x 3" D x 3/4" H		189.00
<b>Back of 1-sided Cabinet Options (EWH36)</b>				
EZTKB36	Tack Board*		164.00	245.00
EZDEB36	Dry Erase Board		175.00	

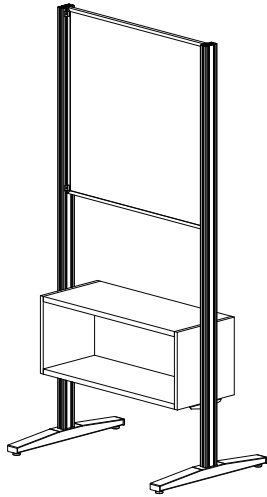
\* Select fabric from Guilford of Maine panel fabric or go to website for fabrics listed in Corporate Color Program, these are standard, any other Guilford panel fabric is considered premier add (+P) to model and use (Prem. + P) pricing above.

## MONITOR MOUNT BRACKET KIT



Model No.	Dimensions	List Price
EWMMK	39" W x 7" H - Monitor Mount 20 1/2" H x 2 1/4" W - Vertical bracket	265.00

- Must order by component level
- See e5™ Idea Starters page 46 for example

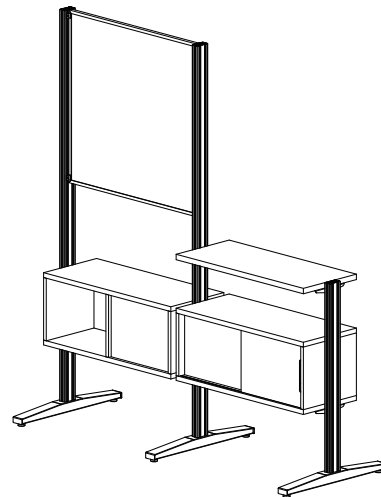


KEEP IDEA STARTER #1 **GSA**

Consists of:

QTY.	MODEL NO.	DESCRIPTION	LIST PRICE EACH
1	MW84SOP	84" H Starter with Open Cabinet	1,586.00
1	EWPW36	36" W x 36" H Two-Sided Dry Erase Board	580.00

**TOTAL: 2,166.00**

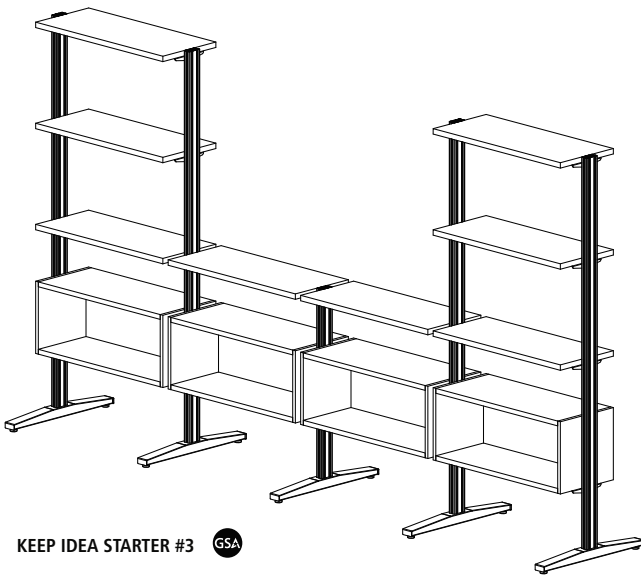


KEEP IDEA STARTER #2 **GSA**

Consists of:

QTY.	MODEL NO.	DESCRIPTION	LIST PRICE EACH
1	MW84SDA	84" H Starter with Dual Access Cabinet	1,618.00
1	EWPW36	36" W x 36" H Whiteboard	580.00
1	MW42ADS	42" H Adder with Dual Access w/1 Sliding Door per Side	1,427.00
1	EWS36	Flat Shelf	359.00

**TOTAL: 3,984.00**

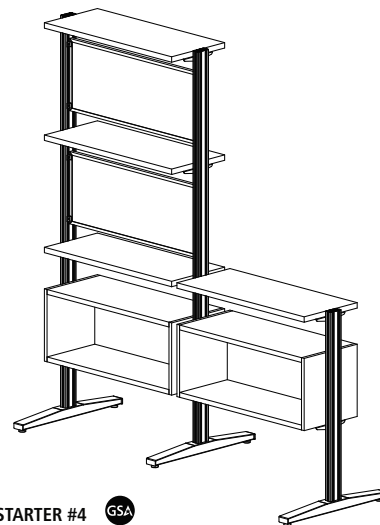


KEEP IDEA STARTER #3 **GSA**

Consists of:

QTY.	MODEL NO.	DESCRIPTION	LIST PRICE EACH
2	MW84SOP	84" H Starter with Open Cabinet	1,586.00
8	EWS36	Flat Shelves	359.00
1	MW42AOP	42" H Adder with Open Cabinet	951.00
1	EWH36	Open Cabinet	523.00

**TOTAL: 7,518.00**



KEEP IDEA STARTER #4 **GSA**

Consists of:

QTY.	MODEL NO.	DESCRIPTION	LIST PRICE EACH
1	MW84SOP	84" H Starter with Open Cabinet	1,586.00
1	MW42AOP	42" H Adder with Open Cabinet	951.00
4	EWS36	Flat Shelves	359.00
2	EWPF12	36" W x 12" H Two-Sided Tack Panel	422.00

**TOTAL: 4,817.00**

Note: Refer to page 85 for additional Keep Mobile details.

# Keep™ Series Idea Starters

- Must order by component level
- See e5™ Idea Starters page 46 for example

Office Suites

Seating

Tables

Desks

Meeting Essentials

Personal Organization

Ergonomics

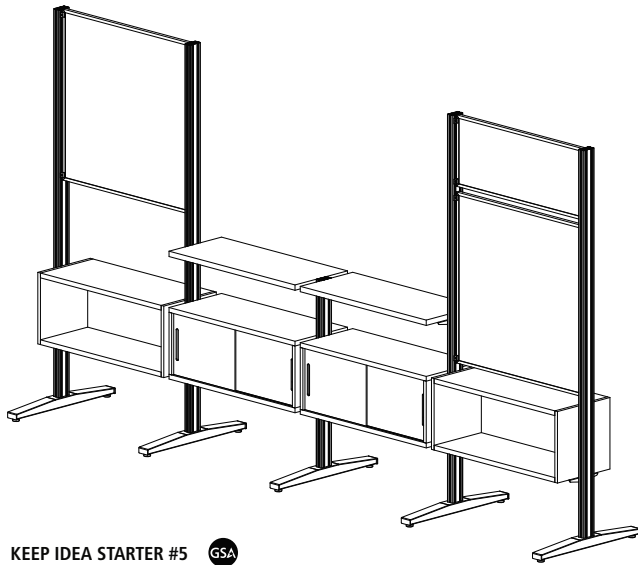
High Density Storage

Storage & Filing

Facilities

Technology Furniture

Art & Engineering

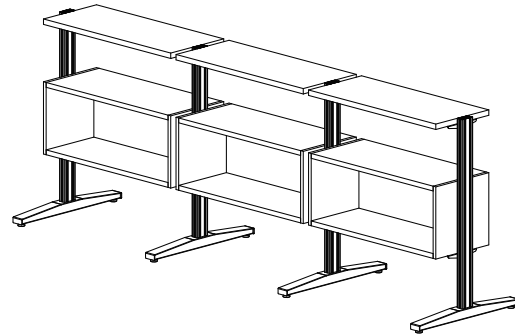


KEEP IDEA STARTER #5

Consists of:

QTY.	MODEL NO.	DESCRIPTION	LIST PRICE EACH
2	MW84SOP	84"H Starter with Open Cabinet	1,586.00
1	MW42AOS	42"H Adder with Dual Sliders	1,374.00
1	EWH36S	Dual Slider Cabinet	813.00
2	EWS36	Flat Shelves	359.00
2	EWPW36	Dual-Sided Whiteboard	580.00
1	EWPF12	36"W x 12"H Tackboard	422.00

TOTAL: 7,659.00

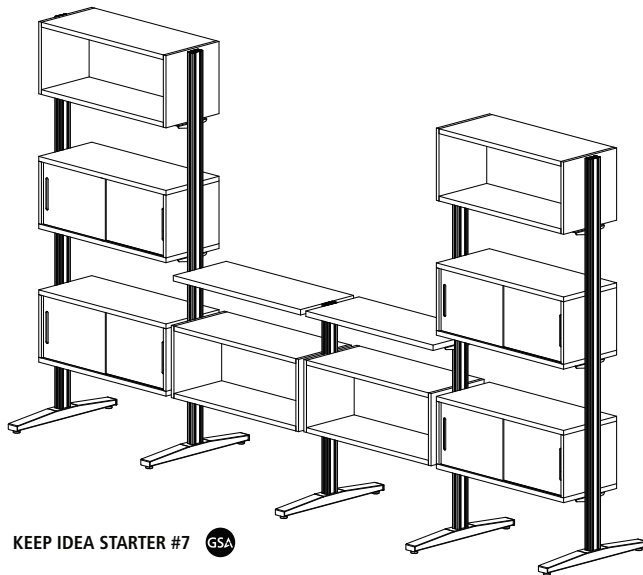


KEEP IDEA STARTER #6

Consists of:

QTY.	MODEL NO.	DESCRIPTION	LIST PRICE EACH
1	MW42SOP	42"H Starter with Open Cabinet	1,374.00
2	MW42AOP	42"H Adder with Open Cabinet	951.00
3	EWS36	Flat Shelves	359.00

TOTAL: 4,353.00

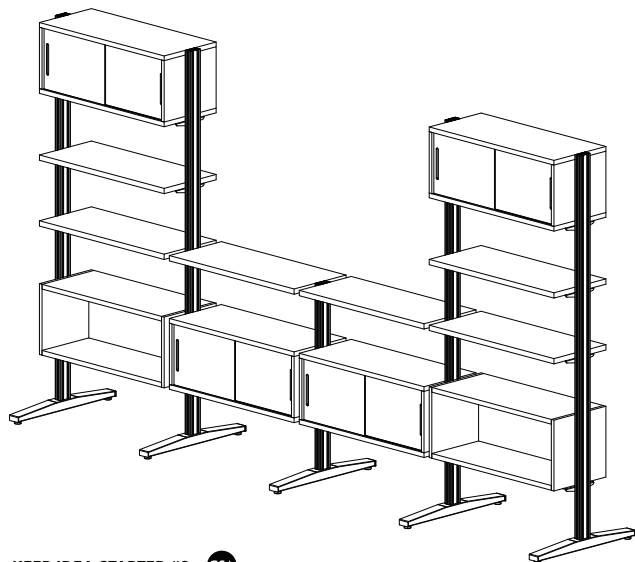


KEEP IDEA STARTER #7

Consists of:

QTY.	MODEL NO.	DESCRIPTION	LIST PRICE EACH
2	MW84SOS	84"H Starter with 2 Sliding Doors	2,009.00
1	MW42AOP	42"H Adder with Open Cabinet	951.00
2	EWH36S	Dual Sliding Cabinets	813.00
3	EWH36	Open Cabinets	523.00
2	EWS36	Flat Shelves	359.00

TOTAL: 8,882.00



KEEP IDEA STARTER #8

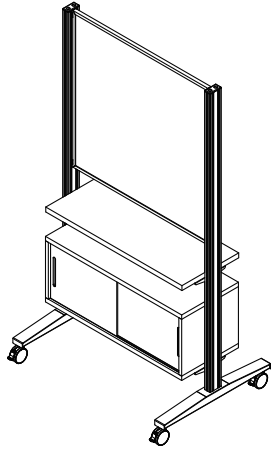
Consists of:

QTY.	MODEL NO.	DESCRIPTION	LIST PRICE EACH
2	MW84SOP	84"H Starter with Open Cabinet	1,586.00
1	MW42AOS	42"H Adder with Sliding Doors	1,374.00
3	EWH36S	Dual Sliding Cabinets	813.00
6	EWS36	Flat Shelves	359.00

TOTAL: 9,139.00

Note: Refer to page 85 for additional Keep Mobile details.

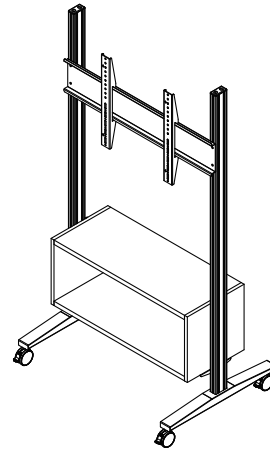
- Must order by component level
- See e5™ Idea Starters page 46 for example



KEEP MOBILE IDEA STARTER #9 

Consists of:

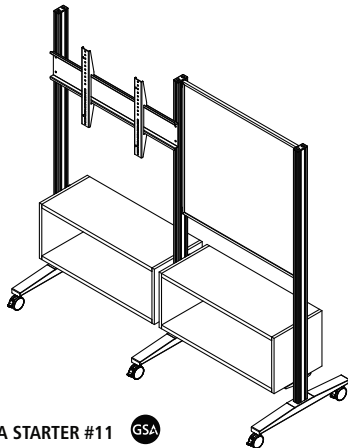
QTY.	MODEL NO.	DESCRIPTION	LIST PRICE EACH
1	MB74SOS	74" Starter with 2 sliding doors	2,009.00
1	EWPM36	Dual-Sided Porcelain-Coated White/Magnetic	739.00
1	EWS36	36" W Flat Shelf	359.00
<b>TOTAL:</b>			<b>3,107.00</b>



KEEP MOBILE IDEA STARTER #10 

Consists of:

QTY.	MODEL NO.	DESCRIPTION	LIST PRICE EACH
1	MB74SOP	74" Starter with Open Cabinet	1,586.00
1	EWMMK	Monitor Mount Bracket	265.00
<b>TOTAL:</b>			<b>1,851.00</b>



KEEP MOBILE IDEA STARTER #11 

Consists of:

QTY.	MODEL NO.	DESCRIPTION	LIST PRICE EACH
1	MB74SOP	74" Starter with Open cabinet	1,586.00
1	MB74AOP	74" Adder with Open cabinet	1,163.00
1	EWMMK	Monitor Mount Bracket	265.00
1	EWPFM36	One Side Porcelain Magnetic WB/ One Side Fabric Tackboard	952.00
<b>TOTAL:</b>			<b>3,603.00</b>