

KEEP™ MODULAR WALL SYSTEMS

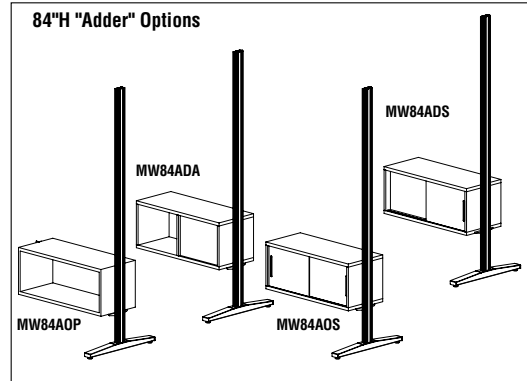
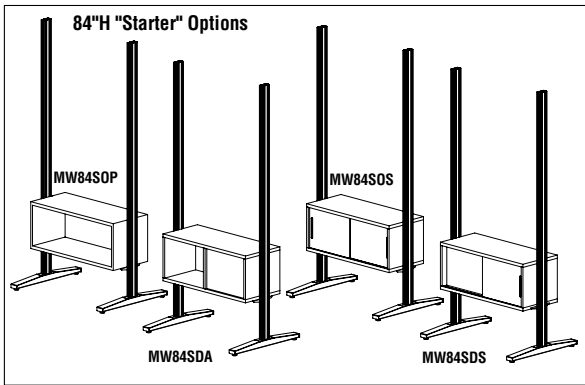
Keep™ Modular Wall System (patent pending) is a storage-wall solution that improves productivity by providing ready access to materials, dividing and defining space, and enhancing privacy. It is easily adaptable to changing needs.

- Cabinet at base of each section required.
- Maximum weight to be placed on the lower portion of the wall.
- Cabinets, shelves, panels are infinitely adjustable on the uprights by utilizing enclosed mounting brackets and hardware.
- Two Channels within the upright provide 2 contact points for each cabinet bracket; providing additional strength and anti-slipping support.
- Maximum 100# live load capacity per cabinet/shelf – evenly distributed. Maximum 300# per 84" upright.
- Black glides with 3/8" stem and 1" of adjustability.
- Minimal assembly required.
- Maximum 3 cabinets per 84" upright section, maximum 2 cabinets per 42" upright section.
- Available with polished aluminum uprights, Tech Silver feet and e5 cabinet finishes.

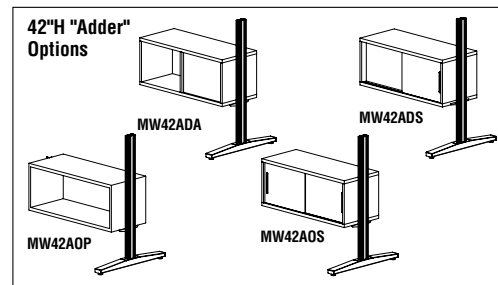
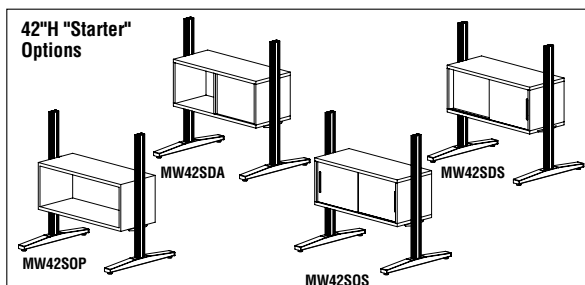
KEEP BUILD-A-WALL WITH STARTER KITS AND ADDER OPTIONS

- 1] Select Starter Kit Size (84" or 42") with cabinet style of your choice.
- 2] Add additional components (see optional component section) to build your wall.
- 3] If more than 1 wall section is desired, select appropriate Adder Typical and additional components to extend wall horizontally.

Model No.	Description	Dimensions	List Price
84"H Starter Wall Configurations			
MW84SOP	Starter Wall with Open Cabinet	39"W x 28"D x 84"H	\$1499
MW84SDA	Starter Wall with Dual Access Cabinet	39"W x 28"D x 84"H	\$1529
MW84SOS	Starter Wall with Open Cabinet with 2 Sliding Doors	39"W x 28"D x 84"H	\$1899
MW84SDS	Starter Wall with Dual Access Cabinet with 1 Sliding Door each side	39"W x 28"D x 84"H	\$1949
84"H Adder Wall Configurations			
MW84AOP	Adder Wall with Open Cabinet	39"W x 28"D x 84"H	\$1099
MW84ADA	Adder Wall with Dual Access Cabinet	39"W x 28"D x 84"H	\$1129
MW84AOS	Adder Wall with Open Cabinet with 2 Sliding Doors	39"W x 28"D x 84"H	\$1499
MW84ADS	Adder Wall with Dual Access Cabinet with 1 Sliding Door each side	39"W x 28"D x 84"H	\$1549



Model No.	Description	Dimensions	List Price
42"H Starter Wall Configurations			
MW42SOP	Starter Wall with Open Cabinet	39"W x 28"D x 42"H	\$1299
MW42SDA	Starter Wall with Dual Access Cabinet	39"W x 28"D x 42"H	\$1329
MW42SOS	Starter Wall with Open Cabinet with 2 Sliding Doors	39"W x 28"D x 42"H	\$1699
MW42SDS	Starter Wall with Dual Access Cabinet with 1 Sliding Door each side	39"W x 28"D x 42"H	\$1749
42"H Adder Wall Configurations			
MW42AOP	Adder Wall with Open Cabinet	37 1/2"W x 28"D x 42"H	\$899
MW42ADA	Adder Wall with Dual Access Cabinet	37 1/2"W x 28"D x 42"H	\$929
MW42AOS	Adder Wall with Open Cabinet with 2 Sliding Doors	37 1/2"W x 28"D x 42"H	\$1299
MW42ADS	Adder Wall with Dual Access Cabinet with 1 Sliding Door each side	37 1/2"W x 28"D x 42"H	\$1349



KEEP™ MOBILE WALL

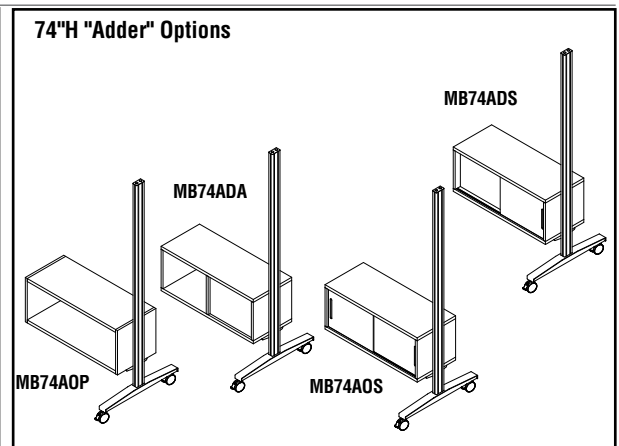
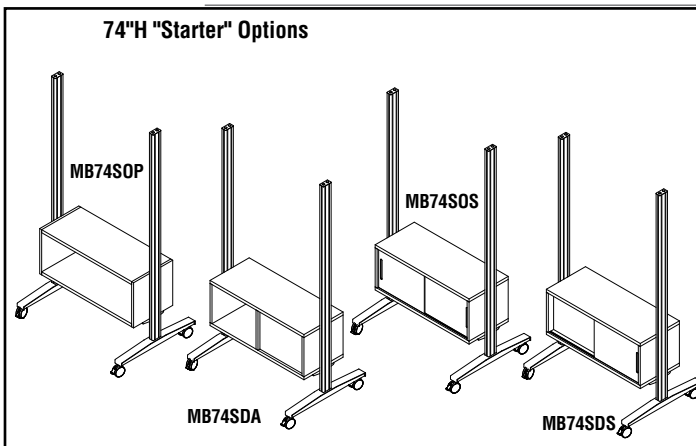


- Ever-changing walls for ever-changing business
- monitor brackets to the starter storage unit to improve productivity and easily move unit from room-to-room.
- Keep Mobile is 74" high to ensure doorway passage.
- Premium White & Gray 80 mm locking casters.

KEEP BUILD-A-MOBILE-WALL

- 1] Select Starter Kit with cabinet style of your choice
- 2] Add additional components (see optional component section) to build your wall
- 3] If more than 1 wall section is desired, select appropriate Adder Typical and additional components to extend wall horizontally.

Model No.	Description	Dimensions	List Price
74" Starter Mobile Wall Configurations			
MB74SOP	74" Starter with Open Cabinet	39"W x 28"D x 74"H	\$1499
MB74SDA	74" Starter with Dual Access Cabinet	39"W x 28"D x 74"H	\$1529
MB74SOS	74" Starter with Open with 2 Sliding Doors	39"W x 28"D x 74"H	\$1899
MB74SDS	74" Starter with Dual Access with 1 Sliding Door on each side	39"W x 28"D x 74"H	\$1949
74"H Adder Mobile Wall Configurations			
MB74AOP	74" Adder with Open Cabinet	39"W x 28"D x 74"H	\$1099
MB74ADA	74" Adder with Dual Access Cabinet	39"W x 28"D x 74"H	\$1129
MB74AOS	74" Adder with Open with 2 Sliding Doors	39"W x 28"D x 74"H	\$1499
MB74ADS	74" Adder with Dual Access with 1 Sliding Door each side	39"W x 28"D x 74"H	\$1549



Note: Refer to page 57 for three Keep Mobile Typicals - Idea Starters

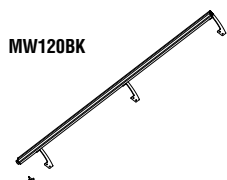
KEEP OPTIONAL COMPONENTS



KEEP MODULAR WALL - 90 AND 120 DEGREE KITS

Make your Keep wall into a more private area for meetings or media conferences by adding a 90 or 120 degree corner.

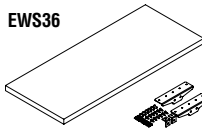
- Corner Kit consists of (1) appropriately sized aluminum upright (42" or 84") with bottom plate and leveler - no foot,
- (3) angled brackets to install top, bottom and middle between extrusions and (1) hardware bag.
- Extra bottom plate and leveler included in hardware bag for use if additional unit foot is removed.
- Kits used as adders to existing or new starter units.

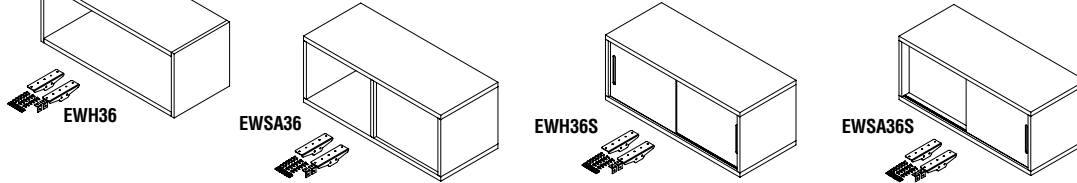


Model No.	Dimensions	Hardware Included	List Price
MW90BK	84" H Upright with leveler	(3) brackets 11.75" W ea.	\$525
MW90BKS	42" H Upright with leveler	(3) brackets 11.75" W ea	\$395
MW120BK	84" H Upright with leveler	(3) brackets 8.00" W ea.	\$510
MW120BKS	42" H Upright with leveler	(3) brackets 8.00" W ea.	\$380

CABINET KITS (ATTACHMENT HARDWARE INCLUDED)

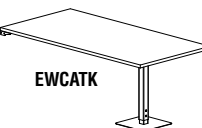
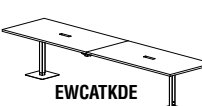

- All Cabinets/Shelf are 36"W.
- Sliding doors only available in White (writable) acrylic.
- EWSA36 and EWSA36S are dual-access.

EWS36	Model No.	Description	Dimensions	Wt.	List Price
	EWS36	Flat Shelf	36"W x 15 1/4"D x 1"H	20#	\$340
	EW36	Open (No Doors/1-Sided)	36"W x 15 1/4"D x 15"H	78#	\$494
	EWSA36	2-Sided	36"W x 15 1/4"D x 15"H	81#	\$560
	EW36S	Open with 2 Sliding Doors (optional Tack Board back)	36"W x 15 1/4"D x 15"H	85#	\$769
	EWSA36S	2-Sided with 1 Sliding Door per Side (optional 1/2 Tack Board)	36"W x 15 1/4"D x 15"H	85#	\$824



CANTILEVERED WORK SURFACES

- Cantilevered surface kits include work surface, optional manufactured cutouts, adjustable height leg to accommodate seated and standing height and hardware kit.
- Options to have manufactured grommet cutouts for the EZSCK4 electrical kit or a conferencing unit available.
- EZSCK4 module consists of (4) power, (2) 2.1 amp USB and a 108 plug-in cord. Available in Silver, Gloss White and Black.
- Work surfaces available in six e5 TFL colors ; HPL options also available.

	Model No.	Description	Dimensions	List Price	HPL List + H
	EWCATK	Cantilevered Surface, no cutout	72" W x 36" D x 29 -42" H	\$995	\$1045
	EWCATKE	Cantilevered Surface with mfd electrical module cutout 2.00" W x 8.25" L for EZSCK4 only. Kit listed below.	72" W x 36" D x 29 -42" H	\$1020	\$1090
	EWCATKM	Cantilevered Surface with mfd cutout 7.50" W x 12.125" L to accommodate Meeting/conferencing unit.	72" W x 36" D x 29 - 42" H	\$1035	\$1110
	EWCATKD	Dual Tables - each side of keep unit; No Cutouts	72" W x 36" D x 29-42" H	\$1990	\$2090
	EWCATKDE	Dual tables - each side of Keep unit with mfd. electrical module cutout 2.00" W x 8.25" L for EZSCK4 only. Kit listed below.	72" W x 36" D x 29-42" H	\$2040	\$2180
	EWCATKDM	Dual tables - each side of Keep unit with mfd. cutout 7.50" W x 12.125" L to accommodate Meeting/conferencing unit.	72" W x 36" D x 29-42" H	\$2070	\$2220
	EWCHTK	Hexagon surface, no cutouts	84" W x 36-60" D x 29-42" H	\$2335	\$2385
	EWCHTKE	Hexagon surface with mfd. electrical module cutout 2.00" W x 8.25" L for EZSCK4 only. Kit listed below.	84" W x 36-60" D x 29-42" H	\$2390	\$2460
	EWCHTKM	Hexagon surface - with mfd. cutout 7.5" W x 12.125" L to accommodate Meeting/conferencing unit.	84" W x 36-60" D x 29-42" H	\$2405	\$2480

KEEP™ TETHER BRACKET KIT

- Dual painted steel bracket
- Ceramic Magnet - 80 lb. pull
- Tether two KEEP mobile units together with magnetic bracket kit
- Can be added to existing KEEP mobile units
- Minimal assembly required

Model No.	Descriptions	Dimensions	Wt.	List
MBTBK	Magnetic Tether Bracket Kit	3.2" x 3.6" x 3"	6#	\$150

SURFACE ELECTRICAL KITS - PLUG IN

- Each kit is for one cutout. Would need to order two kits for dual tables.
- Available in Silver, Gloss White, and Black.
- USB ports are 2.1 amps

Model No.	Description	Power/USB Details	List Price
 EZSCK4	Keep Cantilevered Table Electrical Kit - flush module base	4 power receptacles, 2 USB connectors with 108" plug-in cord.	\$604

MEETING/CONFERENCE UNITS

- Two options for collaborative meeting technology.
- Stationary inset self-contained unit with sliding doors for easy access to power receptacles, telecom plates and USB charging ports as well as the HDMI components.
- Convert any space into a collaborative space with the portable unit, easy-to-use technology solution.
- Up to 4 users can share ideas on one screen with a simple push of a button
- Stationary unit - Silver; portable unit -Gloss White.

Model No.	Description	Dimensions	List Price
EZMR	Grommet Mounted HDMI Stationary Unit Includes 4 power, 4 2.1A USB charging ports, 4 HDMI Show Me cables, HDMI 4 position switch box 2 plate cutouts, 15' HDMI monitor cable, 108" cord.	13.2" W x 7.95" D x 9.37" H	Call for quotation
EZGA	Portable Meeting Technology includes 4 power, 4 2.1A USB charging ports, 4 HDMI Show Me cables, HDMI 4 position switch box 15' HDMI monitor cable, 108" cord, and Black Carry Case.	14.74" W x 11.75" D x 4.58" H	Call for quotation

PANEL KITS (ATTACHMENT HARDWARE INCLUDED)

- Panels available in a variety of sizes dependent upon material.
- Attachment Hardware included.
- Two-Sided.
- Can be positioned anywhere within the upright channel.

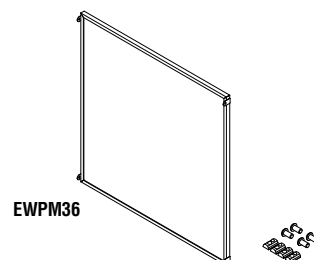
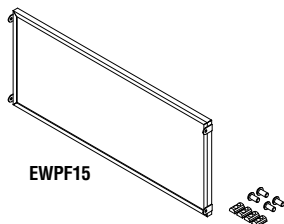
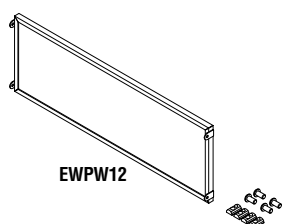
Model No.	Dimensions	List Price
Two-Sided HPL Dry Erase Boards		
EWPW12	35 3/4"W x 12"H	\$299
EWPW15	35 3/4"W x 15"H	\$379
EWPW30	35 3/4"W x 30"H	\$499
EWPW36	35 3/4"W x 36"H	\$549

Model No.	Dimensions	Std. List Price	Prem.+P)*
Two-Sided Same (1) Fabric on Both Sides (Select Guilford of Maine Panel Fabric)*			
EWPF12	35 3/4"W x 12"H	\$399	\$499
EWPF15	35 3/4"W x 15"H	\$479	\$579
EWPF30	35 3/4"W x 30"H	\$669	\$769
EWPF36	35 3/4"W x 36"H	\$849	\$949
Two-Sided (2) Fabric - Different fabric on each side (Select Guilford of Maine Panel Fabric)*			
EWFFF12	35 3/4"W x 12"H	\$419	\$519
EWFFF15	35 3/4"W x 15"H	\$499	\$599
EWFFF30	35 3/4"W x 30"H	\$589	\$689
EWFFF36	35 3/4"W x 36"H	\$669	\$769

Model No.	Dimensions	List Price
Two-Sided Porcelain-Coated Steel over MDF on Both Sides (Magnetic White)		
EWPM12	35 3/4"W x 12"H	\$449
EWPM15	35 3/4"W x 15"H	\$529
EWPM30	35 3/4"W x 30"H	\$629
EWPM36	35 3/4"W x 36"H	\$699

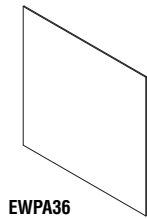
Model No.	Dimensions	Std. List Price	Prem.+P)*
One-Sided Porcelain-Coated Steel over MDF (Magnetic White) / One-Side Fabric			
EWPFM12	35 3/4"W x 12"H	\$680	\$730
EWPFM15	35 3/4"W x 15"H	\$720	\$770
EWPFM30	35 3/4"W x 30"H	\$790	\$840
EWPFM36	35 3/4"W x 36"H	\$900	\$950

* Select fabric from Guilford of Maine panel fabric. Fabrics listed in Mayline Corporate Color Program are "standard", any other Guilford panel fabric is considered "premier" add (+P) to model and use (Prem. + P) pricing above.



ACRYLIC PANELS

- Insert in slot / held in place with gray silicone gasket included.
- Available as **standard** in frosted acrylic to match e5 panels or in White acrylic (writable) to match e5 sliding doors on overhead cabinets.
- Additional acrylic color options are available at an additional cost. ***Add "C"** to the model number and choose from the following colors: Laguna (Turquoise), Sunshine Yellow, Pumpkin (Orange), Kiwi (Light Green), Tomato (Red)*
- Note: These acrylic color options are applicable to the Keep acrylic panels only; and are NOT the same color options as the e5 colored glass door options.



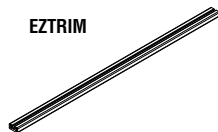
EWPA36

Model No.	Dimensions	List Price/ Frosted or White	*List Price / Other Colors - Add "C" after Model #
EWPA12	35 3/4"W x 12"H	\$155	\$225
EWPA15	35 3/4"W x 15"H	\$175	\$265
EWPA18	35 3/4"W x 18"H	\$215	\$325
EWPA24	35 3/4"W x 24"H	\$280	\$430
EWPA30	35 3/4"W x 30"H	\$435	\$605
EWPA36	35 3/4"W x 36"H	\$450	\$640
EWPA50	35 3/4"W x 50"H	\$645	\$875
EWPA60	35 3/4"W x 60"H	\$775	\$775

* View in Mayline's image gallery at www.mayline.com or www.acrylite.net. (Acrylite Satinice options only), or contact CS for samples.

ACRYLIC PANEL TRIM KITS

- Aluminum extruded top trim piece for use with single or back-to-back acrylic panels installed in Keep Modular Walls. Made of same material as Keep uprights.
- Must be installed in conjunction with acrylic panels and the gasket that holds the panel in place.

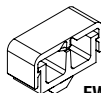


EZTRIM

Model No.	Dimensions	List Price
EZTRIM	36"W x .75"H x 1.5"D	\$75
EZTRIMD	36"W x .75"H x 3.0"D	\$115

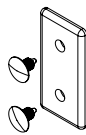


EZTRIMD

ACCESSORIES

EWWC

Model No.	Description	Dimensions	List Price
Wire Management Cable Clip			
EWWC	Cable Clip for wire management.	1 1/2"W x 1"D	\$12

Top Caps

EWTCG

EWTCG	Gray Top Caps.	1 1/2"W x 3"D	\$9
FWCAST	Premium Caster Kit (4) White & Gray; locking		\$68

Back of Dual-Access Cabinet Option

			Std.	Prem. (+P)
EZTKB16	Tack Board.*	16 1/2"W x 12 1/2"D x 1/2"H	\$110	\$195
EZDEB16	Dry Erase Board.	16 1/2"W x 12 1/2"D x 1/2"H	\$130	N/A

Marker Tray – Sized to fit half of the back of EWSA36 & EWSA36S Cabinets

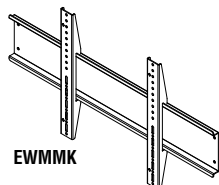
EWTRAY	Aluminum Extruded Tray.	36"W x 3"D x 3/4"H		\$179
--------	-------------------------	--------------------	--	-------

Back of 1-sided Cabinet Options (EWH36)

EZTKB36	Tack Board.*		\$160	\$239
EZDEB36	Dry Erase Board.		\$170	N/A

MONITOR MOUNT BRACKET KIT

- 3 piece kit - horizontal brace and (2) vertical brackets (screen mounting patterns vary by manufacturer brackets should accommodate most screen VESA patterns.)
- Maximum weight load per monitor - 100 # per 74" or 84" H Keep Unit
- Can be mounted on Keep Mobile and Keep Stationary Wall systems.



EWMK

Model No.	Dimensions	List Price
EWMK	39" W x 7." H - Monitor Mount 20.5" H x 2.25" W - Vertical bracket	\$250