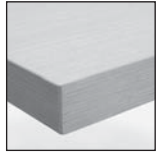


CONCEPT 400E

EDGEBANDING

Furniture with 1" (25 mm) thick tops.

N Edge



Smooth, 1/8" (3 mm) thick edge.

The **N** edge is **matched with the finish specified for the surface.**

HANDLES

Choices of straight pulls in thermoplastic polymer or metal available.



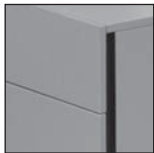
L – Black Linear



X – Stainless Steel



Y – Aluminum



N – Non applicable
Linear pull
on the interior side

CODIFICATION

Series	Options		
	Thickness	Handles	Accent color
4	1 Thermofused laminate 1"	L Black Linear X Stainless Steel Y Aluminum	N/A

READY TO SHIP IN 5 DAYS!

Several suggested layouts, components and accessories identified by this pictogram are part of the **Lacasse quick delivery program.**

Please refer to page 3 for complete program details.



	W x D x H (in)	W x D x H (mm)	Code	Price (\$)
Double pedestal desks <i>2 pedestals with locks, 2 box drawers and 2 file drawers with suspension bars. Pencil tray. Recessed, full-height modesty panel.</i>	72 x 36 x 29	1800 x 900 x 735	41_N-F3672F	1,366
	72 x 30 x 29	1800 x 750 x 735	41_N-F3072F	1,316
	66 x 30 x 29	1650 x 750 x 735	41_N-F3066F	1,267
	60 x 30 x 29	1500 x 750 x 735	41_N-F3060F	1,212

Specify the handle code (X, Y, N).

	W x D x H (in)	W x D x H (mm)	Code	Price (\$)
Double pedestal bow front desk <i>2 pedestals with locks, 2 box drawers and 2 file drawers with suspension bars. Pencil tray. Recessed, full-height modesty panel.</i>	72 x 42 x 29	1800 x 1050 x 735	41_N-F4272FA	1,612

Specify the handle code (X, Y, N).

	W x D x H (in)	W x D x H (mm)	Code	Price (\$)
Left single pedestal desks <i>1 pedestal on left with lock, 1 box drawer and 1 file drawer with suspension bar. Pencil tray. Recessed, full-height modesty panel.</i>	72 x 36 x 29	1800 x 900 x 735	41_N-F3672S	1,098
	72 x 30 x 29	1800 x 750 x 735	41_N-F3072S	1,049
	66 x 30 x 29	1650 x 750 x 735	41_N-F3066S	994
	60 x 30 x 29	1500 x 750 x 735	41_N-F3060S	946
	48 x 30 x 29	1200 x 750 x 735	41_N-F3048S	874

Specify the handle code (X, Y, N).

	W x D x H (in)	W x D x H (mm)	Code	Price (\$)
Right single pedestal desks <i>1 pedestal on right with lock, 1 box drawer and 1 file drawer with suspension bar. Pencil tray. Recessed, full-height modesty panel.</i>	72 x 36 x 29	1800 x 900 x 735	41_N-S3672F	1,098
	72 x 30 x 29	1800 x 750 x 735	41_N-S3072F	1,049
	66 x 30 x 29	1650 x 750 x 735	41_N-S3066F	994
	60 x 30 x 29	1500 x 750 x 735	41_N-S3060F	946
	48 x 30 x 29	1200 x 750 x 735	41_N-S3048F	874

Specify the handle code (X, Y, N).

	W x D x H (in)	W x D x H (mm)	Code	Price (\$)
Left single pedestal bow front desk <i>1 pedestal on left with lock, 1 box drawer and 1 file drawer with suspension bar. Pencil tray. Recessed, full-height modesty panel.</i>	72 x 42 x 29	1800 x 1050 x 735	41_N-F4272SA	1,344

Specify the handle code (X, Y, N).

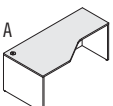
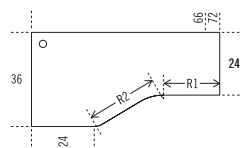


	W x D x H (in)	W x D x H (mm)	Code	Price (\$)
Right single pedestal bow front desk <i>1 pedestal on right with lock, 1 box drawer and 1 file drawer with suspension bar. Pencil tray. Recessed, full-height modesty panel.</i>	72 x 42 x 29	1800 x 1050 x 735	41_N-S4272FA	1,344

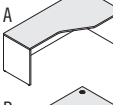
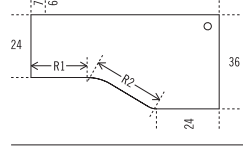


Specify the handle code (X, Y, N).

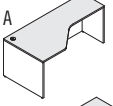
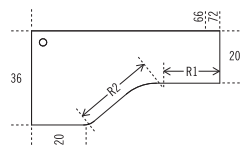

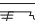
	W x D x H (in)	W x D x H (mm)	Code	Price (\$)
Desk shells <i>Recessed, full-height modesty panel. Can accommodate 1 or 2 pedestals.</i>	72 x 36 x 29	1800 x 900 x 735	41NN-TDM3672	727
	72 x 30 x 29	1800 x 750 x 735	41NN-TDM3072	699
	66 x 30 x 29	1650 x 750 x 735	41NN-TDM3066	673
	60 x 30 x 29	1500 x 750 x 735	41NN-TDM3060	639

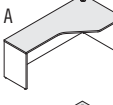
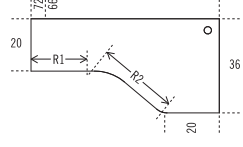


	W x D x H (in)	W x D x H (mm)	Code	Price (\$)
Corner modules <i>Full-height modesty panel. Grommet. Must be attached to another surface.</i>	48" x 30" R1	1219 x 762 (637 mm)	41NN-CM4830S	802
	42" x 24" R1	1067 x 610 (637 mm)	41NN-CM4224S	711
	36" x 24" R1	915 x 610 (424 mm)	41NN-CM3624S	639
	36" x 18" R1	915 x 457 (637 mm)	41NN-CM3618S	639
	48 x 48 x 29	1200 x 1200 x 735	41NN-CM4830S	802
	42 x 42 x 29	1050 x 1050 x 735	41NN-CM4224S	711
	36 x 36 x 29	900 x 900 x 735	41NN-CM3624S	639
	36 x 36 x 29	900 x 900 x 735	41NN-CM3618S	639

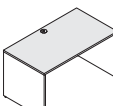
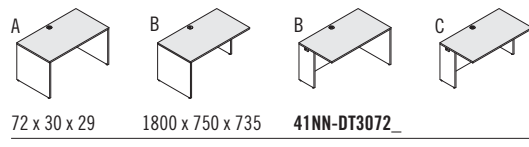









Diagonal wood grain: change S to D, add 10% to the price.

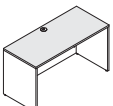
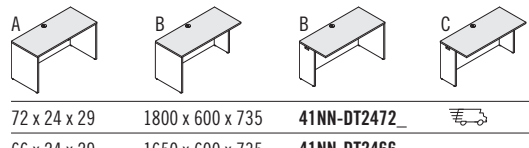




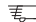
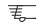
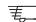
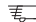

	W x D x H (in)	W x D x H (mm)	Code	Price (\$)	
Right extended corner modules – 24" D	<i>1 grommet.</i>				
					
			Surface 72"/36" 66"/36"	R1 21 1/8" (573 mm) 15 3/4" (387 mm)	R2 21 1/8" (573 mm) 28 5/8" (727 mm)
A	72 x 36 x 29	1800 x 900 x 735	41NN-CM367224 	956	
B	66 x 36 x 29	1650 x 900 x 735	41NN-CM366624 	896	
Specify panel legs (A, B).					

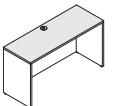
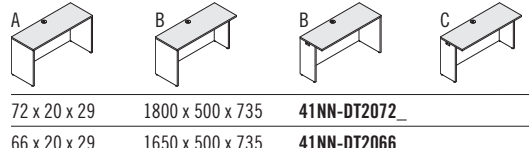



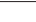





	W x D x H (in)	W x D x H (mm)	Code	Price (\$)	
Left extended corner modules – 24" D	<i>1 grommet.</i>				
					
			Surface 72"/36" 66"/36"	R1 21 1/8" (573 mm) 15 3/4" (387 mm)	R2 21 1/8" (573 mm) 28 5/8" (727 mm)
A	72 x 36 x 29	1800 x 900 x 735	41NN-CM723624 	956	
B	66 x 36 x 29	1650 x 900 x 735	41NN-CM663624 	896	
Specify panel legs (A, B).					

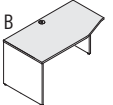
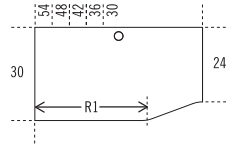





	W x D x H (in)	W x D x H (mm)	Code	Price (\$)	
Right extended corner modules – 20" D	<i>1 grommet.</i>				
					
			Surface 72"/36" 66"/36"	R1 23 3/16" (608 mm) 18 1/8" (459 mm)	R2 31 1/8" (799 mm) 31 1/8" (799 mm)
A	72 x 36 x 29	1800 x 900 x 735	41NN-CM367220 	956	
B	66 x 36 x 29	1650 x 900 x 735	41NN-CM366620 	896	
Specify panel legs (A, B).					

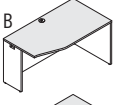
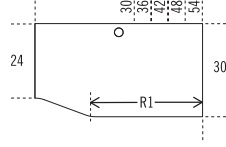





	W x D x H (in)	W x D x H (mm)	Code	Price (\$)	
Left extended corner modules – 20" D	<i>1 grommet.</i>				
					
			Surface 72"/36" 66"/36"	R1 23 3/16" (608 mm) 18 1/8" (459 mm)	R2 31 1/8" (799 mm) 31 1/8" (799 mm)
A	72 x 36 x 29	1800 x 900 x 735	41NN-CM723620 	956	
B	66 x 36 x 29	1650 x 900 x 735	41NN-CM663620 	896	
Specify panel legs (A, B).					

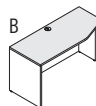
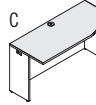
	W x D x H (in)	W x D x H (mm)	Code	Price (\$)
Rectangular tables – 30" D	<i>Full-height modesty panel. 1 grommet.</i>			
				
A	72 x 30 x 29	1800 x 750 x 735	41NN-DT3072 	683
B	66 x 30 x 29	1650 x 750 x 735	41NN-DT3066 	650
C	60 x 30 x 29	1500 x 750 x 735	41NN-DT3060 	623
D	54 x 30 x 29	1350 x 750 x 735	41NN-DT3054 	595
E	48 x 30 x 29	1200 x 750 x 735	41NN-DT3048 	569
F	42 x 30 x 29	1050 x 750 x 735	41NN-DT3042 	541
G	36 x 30 x 29	900 x 750 x 735	41NN-DT3036 	514
H	30 x 30 x 29	750 x 750 x 735	41NN-DT3030 	486
I	24 x 30 x 29	600 x 750 x 735	41NN-DT3024 	454
Specify panel legs (A, B, C).				

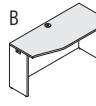
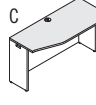
	W x D x H (in)	W x D x H (mm)	Code	Price (\$)
Rectangular tables – 24" D	<i>Full-height modesty panel. 1 grommet.</i>			
				
A	72 x 24 x 29	1800 x 600 x 735	41NN-DT2472 	661
B	66 x 24 x 29	1650 x 600 x 735	41NN-DT2466 	628
C	60 x 24 x 29	1500 x 600 x 735	41NN-DT2460 	600
D	54 x 24 x 29	1350 x 600 x 735	41NN-DT2454 	574
E	48 x 24 x 29	1200 x 600 x 735	41NN-DT2448 	546
F	42 x 24 x 29	1050 x 600 x 735	41NN-DT2442 	519
G	36 x 24 x 29	900 x 600 x 735	41NN-DT2436 	491
H	30 x 24 x 29	750 x 600 x 735	41NN-DT2430 	459
I	24 x 24 x 29	600 x 600 x 735	41NN-DT2424 	432
Specify panel legs (A, B, C).				

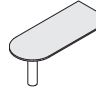
	W x D x H (in)	W x D x H (mm)	Code	Price (\$)
Rectangular tables – 20" D	<i>Full-height modesty panel. 1 grommet.</i>			
				
A	72 x 20 x 29	1800 x 500 x 735	41NN-DT2072 	633
B	66 x 20 x 29	1650 x 500 x 735	41NN-DT2066 	607
C	60 x 20 x 29	1500 x 500 x 735	41NN-DT2060 	579
D	54 x 20 x 29	1350 x 500 x 735	41NN-DT2054 	552
E	48 x 20 x 29	1200 x 500 x 735	41NN-DT2048 	524
F	42 x 20 x 29	1050 x 500 x 735	41NN-DT2042 	496
G	36 x 20 x 29	900 x 500 x 735	41NN-DT2036 	465
H	30 x 20 x 29	750 x 500 x 735	41NN-DT2030 	437
I	24 x 20 x 29	600 x 500 x 735	41NN-DT2024 	410
Specify panel legs (A, B, C).				

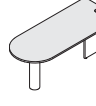
	W x D x H (in)	W x D x H (mm)	Code	Price (\$)
Asymmetrical tables – 30" D	<i>Full-height modesty panel. 1 grommet.</i>			
				
			Surface 54"/30" 48"/30" 42"/30" 36"/30" 30"/30"	R1 39 1/8" (992 mm) 33 3/8" (843 mm) 27 1/4" (692 mm) 21 1/8" (543 mm) 15 1/2" (394 mm)
A	54 x 30 x 29	1350 x 750 x 735	41NN-AT305424 	628
B	48 x 30 x 29	1200 x 750 x 735	41NN-AT304824 	600
C	42 x 30 x 29	1050 x 750 x 735	41NN-AT304224 	574
D	36 x 30 x 29	900 x 750 x 735	41NN-AT303624 	546
E	30 x 30 x 29	750 x 750 x 735	41NN-AT303024 	519
Specify panel legs (B, C).				

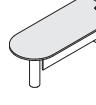
	W x D x H (in)	W x D x H (mm)	Code	Price (\$)
Asymmetrical tables – 30" D	<i>Full-height modesty panel. 1 grommet.</i>			
				
			Surface 54"/30" 48"/30" 42"/30" 36"/30" 30"/30"	R1 39 1/8" (992 mm) 33 3/8" (843 mm) 27 1/4" (692 mm) 21 1/8" (543 mm) 15 1/2" (394 mm)
A	54 x 30 x 29	1350 x 750 x 735	41NN-AT245430 	628
B	48 x 30 x 29	1200 x 750 x 735	41NN-AT244830 	600
C	42 x 30 x 29	1050 x 750 x 735	41NN-AT244230 	574
D	36 x 30 x 29	900 x 750 x 735	41NN-AT243630 	546
E	30 x 30 x 29	750 x 750 x 735	41NN-AT243030 	519
Specify panel legs (B, C).				

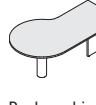
	W x D x H (in)	W x D x H (mm)	Code	Price (\$)												
Asymmetrical tables - 24" D	<i>Full-height modesty panel. 1 grommet.</i>															
	<table border="1"> <thead> <tr> <th>Surface</th> <th>R1</th> </tr> </thead> <tbody> <tr> <td>54"/24"</td> <td>39 1/8" (992 mm)</td> </tr> <tr> <td>48"/24"</td> <td>33 3/8" (843 mm)</td> </tr> <tr> <td>42"/24"</td> <td>27 1/4" (692 mm)</td> </tr> <tr> <td>36"/24"</td> <td>21 3/8" (543 mm)</td> </tr> <tr> <td>30"/24"</td> <td>15 1/2" (394 mm)</td> </tr> </tbody> </table>				Surface	R1	54"/24"	39 1/8" (992 mm)	48"/24"	33 3/8" (843 mm)	42"/24"	27 1/4" (692 mm)	36"/24"	21 3/8" (543 mm)	30"/24"	15 1/2" (394 mm)
Surface	R1															
54"/24"	39 1/8" (992 mm)															
48"/24"	33 3/8" (843 mm)															
42"/24"	27 1/4" (692 mm)															
36"/24"	21 3/8" (543 mm)															
30"/24"	15 1/2" (394 mm)															
	54 x 24 x 29	1350 x 600 x 735	41NN-AT245418	607												
	48 x 24 x 29	1200 x 600 x 735	41NN-AT244818	579												
	42 x 24 x 29	1050 x 600 x 735	41NN-AT244218	552												
	36 x 24 x 29	900 x 600 x 735	41NN-AT243618	524												
	30 x 24 x 29	750 x 600 x 735	41NN-AT243018	496												
Specify panel legs (B, C).																

	W x D x H (in)	W x D x H (mm)	Code	Price (\$)												
Asymmetrical tables - 24" D	<i>Full-height modesty panel. 1 grommet.</i>															
	<table border="1"> <thead> <tr> <th>Surface</th> <th>R1</th> </tr> </thead> <tbody> <tr> <td>54"/24"</td> <td>39 3/8" (992 mm)</td> </tr> <tr> <td>48"/24"</td> <td>33 3/8" (843 mm)</td> </tr> <tr> <td>42"/24"</td> <td>27 1/4" (692 mm)</td> </tr> <tr> <td>36"/24"</td> <td>21 3/8" (543 mm)</td> </tr> <tr> <td>30"/24"</td> <td>15 1/2" (394 mm)</td> </tr> </tbody> </table>				Surface	R1	54"/24"	39 3/8" (992 mm)	48"/24"	33 3/8" (843 mm)	42"/24"	27 1/4" (692 mm)	36"/24"	21 3/8" (543 mm)	30"/24"	15 1/2" (394 mm)
Surface	R1															
54"/24"	39 3/8" (992 mm)															
48"/24"	33 3/8" (843 mm)															
42"/24"	27 1/4" (692 mm)															
36"/24"	21 3/8" (543 mm)															
30"/24"	15 1/2" (394 mm)															
	54 x 24 x 29	1350 x 600 x 735	41NN-AT185424	607												
	48 x 24 x 29	1200 x 600 x 735	41NN-AT184824	579												
	42 x 24 x 29	1050 x 600 x 735	41NN-AT184224	552												
	36 x 24 x 29	900 x 600 x 735	41NN-AT183624	524												
	30 x 24 x 29	750 x 600 x 735	41NN-AT183024	496												
Specify panel legs (B, C).																


	W x D x H (in)	W x D x H (mm)	Code	Price (\$)
D-shaped surfaces	<i>Black steel leg. Must be attached to a work surface. Order LGC-BAR for any surface wider than 60", refer to page 207.</i>			
	72 x 36 x 29	1800 x 900 x 735	41NN-BU3672	678
	72 x 30 x 29	1800 x 750 x 735	41NN-BU3072	623
	66 x 30 x 29	1650 x 750 x 735	41NN-BU3066	590
	60 x 30 x 29	1500 x 750 x 735	41NN-BU3060	563
	66 x 24 x 29	1650 x 600 x 735	41NN-BU2466	541
	60 x 24 x 29	1500 x 600 x 735	41NN-BU2460	503
	48 x 24 x 29	1200 x 600 x 735	41NN-BU2448	475
Specify panel legs (B, C).				

	W x D x H (in)	W x D x H (mm)	Code	Price (\$)
D-shaped surfaces	<i>Black steel leg. 1 grommet. Must be attached to another surface.</i>			
	72 x 36 x 29	1800 x 900 x 735	41NN-BT3672	782
	72 x 30 x 29	1800 x 750 x 735	41NN-BT3072	737
	66 x 30 x 29	1650 x 750 x 735	41NN-BT3066	705
	60 x 30 x 29	1500 x 750 x 735	41NN-BT3060	678
	66 x 24 x 29	1650 x 600 x 735	41NN-BT2466	650
	60 x 24 x 29	1500 x 600 x 735	41NN-BT2460	612
	48 x 24 x 29	1200 x 600 x 735	41NN-BT2448	584
Specify panel legs (B, C).				

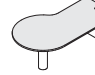
	W x D x H (in)	W x D x H (mm)	Code	Price (\$)
D-shaped surfaces	<i>Reversible modesty panel. Black steel leg. 1 grommet. Must be attached to another surface.</i>			
	72 x 36 x 29	1800 x 900 x 735	41NN-BTM3672	880
	72 x 30 x 29	1800 x 750 x 735	41NN-BTM3072	825
	66 x 30 x 29	1650 x 750 x 735	41NN-BTM3066	792
	60 x 30 x 29	1500 x 750 x 735	41NN-BTM3060	759
Specify panel legs (B, C).				

	W x D x H (in)	W x D x H (mm)	Code	Price (\$)
Left P-shaped surfaces	<i>Black steel leg. 1 grommet. Must be attached to another surface.</i>			
	72 x 42 x 29	1800 x 1050 x 735	41NN-PT3072	885
	66 x 42 x 29	1650 x 1050 x 735	41NN-PT3066	863
	60 x 42 x 29	1500 x 1050 x 735	41NN-PT3060	836
Specify panel legs (B, C).				


Packaged in 2 boxes.

	W x D x H (in)	W x D x H (mm)	Code	Price (\$)
Right P-shaped surfaces	<i>Black steel leg. 1 grommet. Must be attached to another surface.</i>			
	72 x 42 x 29	1800 x 1050 x 735	41NN-3072PT	885
	66 x 42 x 29	1650 x 1050 x 735	41NN-3066PT	863
	60 x 42 x 29	1500 x 1050 x 735	41NN-3060PT	836


Packaged in 2 boxes.

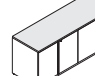
	W x D x H (in)	W x D x H (mm)	Code	Price (\$)
Left P-shaped surfaces	<i>Modesty panel. Black steel leg. 1 grommet. Must be attached to another surface.</i>			
	72 x 42 x 29	1800 x 1050 x 735	41NN-PTM3072	939
	66 x 42 x 29	1650 x 1050 x 735	41NN-PTM3066	918
	60 x 42 x 29	1500 x 1050 x 735	41NN-PTM3060	896

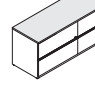
Packaged in 2 boxes.

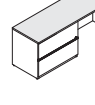
	W x D x H (in)	W x D x H (mm)	Code	Price (\$)
Right P-shaped surfaces	<i>Modesty panel. Black steel leg. 1 grommet. Must be attached to another surface.</i>			
	72 x 42 x 29	1800 x 1050 x 735	41NN-3072PTM	939
	66 x 42 x 29	1650 x 1050 x 735	41NN-3066PTM	918
	60 x 42 x 29	1500 x 1050 x 735	41NN-3060PTM	896

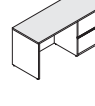
Packaged in 2 boxes.

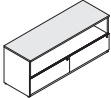
	W x D x H (in)	W x D x H (mm)	Code	Price (\$)
Lateral file / bookcase credenzas	<i>2 file drawers with suspension bars. Bookcase unit with doors and adjustable shelf. Locks.</i>			
	72 x 24 x 29	1800 x 600 x 735	41_N-LF2472B	1,634
	72 x 20 x 29	1800 x 500 x 735	41_N-LF2072B	1,519
Specify the handle code (X, Y, L).				

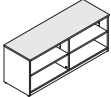
	W x D x H (in)	W x D x H (mm)	Code	Price (\$)
Bookcase credenzas	<i>Storage unit with doors and adjustable shelves. Locks.</i>			
	72 x 24 x 29	1800 x 600 x 735	41_N-B2472B	1,480
	72 x 20 x 29	1800 x 500 x 735	41_N-B2072B	1,366
Specify the handle code (X, Y, L).				

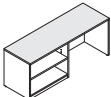
	W x D x H (in)	W x D x H (mm)	Code	Price (\$)
Lateral file credenzas	<i>4 file drawers with suspension bars. Locks. Optional counterweights to meet BIFMA standards, refer to page 207.</i>			
	72 x 24 x 29	1800 x 600 x 735	41_N-LF2472LF	1,803
	72 x 20 x 29	1800 x 500 x 735	41_N-LF2072LF	1,688
Specify the handle code (X, Y, L).				

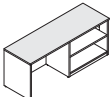
	W x D x H (in)	W x D x H (mm)	Code	Price (\$)
Left lateral file credenzas	<i>2 file drawers on left with suspension bars. Lock. Grommet on back.</i>			
	72 x 24 x 29	1800 x 600 x 735	41_N-LF2472S	1,349
	66 x 24 x 29	1650 x 600 x 735	41_N-LF2466S	1,295
	60 x 24 x 29	1500 x 600 x 735	41_N-LF2460S	1,240
	72 x 20 x 29	1800 x 500 x 735	41_N-LF2072S	1,240
	66 x 20 x 29	1650 x 500 x 735	41_N-LF2066S	1,179
	60 x 20 x 29	1500 x 500 x 735	41_N-LF2060S	1,153
Specify the handle code (X, Y, L).				

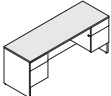
	W x D x H (in)	W x D x H (mm)	Code	Price (\$)
Right lateral file credenzas	<i>2 file drawers on right with suspension bars. Lock. Grommet on back.</i>			
	72 x 24 x 29	1800 x 600 x 735	41_N-S2472LF	1,349
	66 x 24 x 29	1650 x 600 x 735	41_N-S2466LF	1,295
	60 x 24 x 29	1500 x 600 x 735	41_N-S2460LF	1,240
	72 x 20 x 29	1800 x 500 x 735	41_N-S2072LF	1,240
	66 x 20 x 29	1650 x 500 x 735	41_N-S2066LF	1,179
	60 x 20 x 29	1500 x 500 x 735	41_N-S2060LF	1,153
Specify the handle code (X, Y, L).				

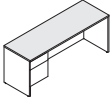
	W x D x H (in)	W x D x H (mm)	Code	Price (\$)
	<i>Open space on top and 2 file drawers on bottom with suspension bars. Locks. Grommet on back. Optional counterweights to meet BIFMA standards, refer to page 207.</i>			
	72 x 24 x 29	1800 x 600 x 735	41_N-SLF2472	1,306
	72 x 20 x 29	1800 x 500 x 735	41_N-SLF2072	1,179
Specify the handle code (X, Y, L).				

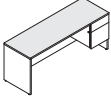
	W x D x H (in)	W x D x H (mm)	Code	Price (\$)
	<i>1 adjustable shelf on each side.</i>			
	72 x 24 x 29	1800 x 600 x 735	41NN-BE2472BE	1,131
	72 x 20 x 29	1800 x 500 x 735	41NN-BE2072BE	1,075

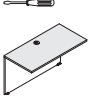
	W x D x H (in)	W x D x H (mm)	Code	Price (\$)
	<i>Adjustable shelf. Full-height modesty panel. Grommet on back.</i>			
	72 x 24 x 29	1800 x 600 x 735	41NN-BE2472S	1,043
	72 x 20 x 29	1800 x 500 x 735	41NN-BE2072S	984

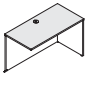
	W x D x H (in)	W x D x H (mm)	Code	Price (\$)
	<i>Adjustable shelf. Full-height modesty panel. Grommet on back.</i>			
	72 x 24 x 29	1800 x 600 x 735	41NN-S2472BE	1,043
	72 x 20 x 29	1800 x 500 x 735	41NN-S2072BE	984

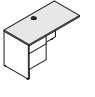
	W x D x H (in)	W x D x H (mm)	Code	Price (\$)
	<i>2 pedestals with locks, 2 box drawers and 2 file drawers with suspension bars. Pencil tray. Grommet on back.</i>			
	72 x 24 x 29	1800 x 600 x 735	41_N-F2472F	1,295
	66 x 24 x 29	1650 x 600 x 735	41_N-F2466F	1,273
	60 x 24 x 29	1500 x 600 x 735	41_N-F2460F	1,251
	72 x 20 x 29	1800 x 500 x 735	41_N-F2072F	1,179
	66 x 20 x 29	1650 x 500 x 735	41_N-F2066F	1,158
60 x 20 x 29	1500 x 500 x 735	41_N-F2060F	1,137	
Specify the handle code (X, Y, N).				


	W x D x H (in)	W x D x H (mm)	Code	Price (\$)
	<i>1 pedestal on left with lock, 1 box drawer and 1 file drawer with suspension bar. Pencil tray. Grommet on back.</i>			
	72 x 24 x 29	1800 x 600 x 735	41_N-F2472S	989
	66 x 24 x 29	1650 x 600 x 735	41_N-F2466S	966
	60 x 24 x 29	1500 x 600 x 735	41_N-F2460S	946
	72 x 20 x 29	1800 x 500 x 735	41_N-F2072S	989
	66 x 20 x 29	1650 x 500 x 735	41_N-F2066S	966
	60 x 20 x 29	1500 x 500 x 735	41_N-F2060S	946
	Specify the handle code (X, Y, N).			

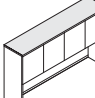
	W x D x H (in)	W x D x H (mm)	Code	Price (\$)
	<i>1 pedestal on right with lock, 1 box drawer and 1 file drawer with suspension bar. Pencil tray. Grommet on back.</i>			
	72 x 24 x 29	1800 x 600 x 735	41_N-S2472F	989
	66 x 24 x 29	1650 x 600 x 735	41_N-S2466F	966
	60 x 24 x 29	1500 x 600 x 735	41_N-S2460F	946
	72 x 20 x 29	1800 x 500 x 735	41_N-S2072F	989
	66 x 20 x 29	1650 x 500 x 735	41_N-S2066F	966
	60 x 20 x 29	1500 x 500 x 735	41_N-S2060F	946
	Specify the handle code (X, Y, N).			

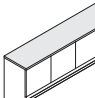
	W x D x H (in)	W x D x H (mm)	Code	Price (\$)
	<i>Full-height modesty panel. 1 grommet.</i>			
	48 x 24 x 29	1200 x 600 x 735	41NN-BR2448	366
	42 x 24 x 29	1050 x 600 x 735	41NN-BR2442	345
	36 x 24 x 29	900 x 600 x 735	41NN-BR2436	322
	48 x 20 x 29	1200 x 500 x 735	41NN-BR2048	333
	42 x 20 x 29	1050 x 500 x 735	41NN-BR2042	311
	36 x 20 x 29	900 x 500 x 735	41NN-BR2036	290

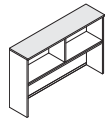
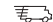
	W x D x H (in)	W x D x H (mm)	Code	Price (\$)
	<i>Reversible. 1 grommet. Can accommodate 1 pedestal.</i>			
	48 x 24 x 29	1200 x 600 x 735	41NN-R2448S	420
	42 x 24 x 29	1050 x 600 x 735	41NN-R2442S	392
	48 x 20 x 29	1200 x 500 x 735	41NN-R2048S	382
42 x 20 x 29	1050 x 500 x 735	41NN-R2042S	355	

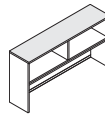
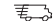
	W x D x H (in)	W x D x H (mm)	Code	Price (\$)
	<i>1 pedestal on left with lock, 1 box drawer and 1 file drawer with suspension bar. Pencil tray. Grommet.</i>			
	48 x 24 x 29	1200 x 600 x 735	41_N-F2448R	809
	42 x 24 x 29	1050 x 600 x 735	41_N-F2442R	765
	48 x 20 x 29	1200 x 500 x 735	41_N-F2048R	770
	42 x 20 x 29	1050 x 500 x 735	41_N-F2042R	748
Specify the handle code (X, Y, N).				

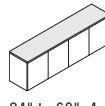
	W x D x H (in)	W x D x H (mm)	Code	Price (\$)
	<i>1 pedestal on right with lock, 1 box drawer and 1 file drawer with suspension bar. Pencil tray. Grommet.</i>			
	48 x 24 x 29	1200 x 600 x 735	41_N-R2448F	809
	42 x 24 x 29	1050 x 600 x 735	41_N-R2442F	765
	48 x 20 x 29	1200 x 500 x 735	41_N-R2048F	770
42 x 20 x 29	1050 x 500 x 735	41_N-R2042F	748	
Specify the handle code (X, Y, N).				

	W x D x H (in)	W x D x H (mm)	Code	Price (\$)
	<i>Clearance: 21 1/2". Grommet. Full-width wire access. Can accommodate a tackboard, refer to page 205.</i>			
	84 x 16 x 44	2100 x 400 x 1099	41NN-E844416P	1,295
	78 x 16 x 44	1950 x 400 x 1099	41NN-E784416P	1,240
	72 x 16 x 44	1800 x 400 x 1099	41NN-E724416P	1,179
	66 x 16 x 44	1650 x 400 x 1099	41NN-E664416P	1,125
	60 x 16 x 44	1500 x 400 x 1099	41NN-E604416P	1,070
	54 x 16 x 44	1350 x 400 x 1099	41NN-E544416P	1,010
	48 x 16 x 44	1200 x 400 x 1099	41NN-E484416P	956
	42 x 16 x 44	1050 x 400 x 1099	41NN-E424416P	901
	36 x 16 x 44	900 x 400 x 1099	41NN-E364416P	847

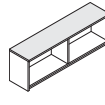
	W x D x H (in)	W x D x H (mm)	Code	Price (\$)
	<i>Clearance: 17 5/8". Grommet. Full-width wire access. Can accommodate a tackboard, refer to page 205.</i>			
	84 x 16 x 36	2100 x 400 x 900	41NN-E843616P	1,179
	78 x 16 x 36	1950 x 400 x 900	41NN-E783616P	1,125
	72 x 16 x 36	1800 x 400 x 900	41NN-E723616P	1,070
	66 x 16 x 36	1650 x 400 x 900	41NN-E663616P	1,010
	60 x 16 x 36	1500 x 400 x 900	41NN-E603616P	956
	54 x 16 x 36	1350 x 400 x 900	41NN-E543616P	901
	48 x 16 x 36	1200 x 400 x 900	41NN-E483616P	847
	42 x 16 x 36	1050 x 400 x 900	41NN-E423616P	787
	36 x 16 x 36	900 x 400 x 900	41NN-E363616P	732


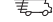
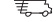
	W x D x H (in)	W x D x H (mm)	Code	Price (\$)
	<i>Clearance: 21 1/2". Grommet. Full-width wire access. Can accommodate a tackboard, refer to page 205.</i>			
	84 x 16 x 44	2100 x 400 x 1099	41NN-E844416	1,070
	78 x 16 x 44	1950 x 400 x 1099	41NN-E784416	1,010
	72 x 16 x 44	1800 x 400 x 1099	41NN-E724416 	956
	66 x 16 x 44	1650 x 400 x 1099	41NN-E664416	901
	60 x 16 x 44	1500 x 400 x 1099	41NN-E604416	847
	54 x 16 x 44	1350 x 400 x 1099	41NN-E544416	787
	48 x 16 x 44	1200 x 400 x 1099	41NN-E484416	732
	42 x 16 x 44	1050 x 400 x 1099	41NN-E424416	678
	36 x 16 x 44	900 x 400 x 1099	41NN-E364416	618

	W x D x H (in)	W x D x H (mm)	Code	Price (\$)
	<i>Clearance: 17 5/8". Grommet. Full-width wire access. Can accommodate a tackboard, refer to page 205.</i>			
	84 x 16 x 36	2100 x 400 x 900	41NN-E843616	956
	78 x 16 x 36	1950 x 400 x 900	41NN-E783616	901
	72 x 16 x 36	1800 x 400 x 900	41NN-E723616 	847
	66 x 16 x 36	1650 x 400 x 900	41NN-E663616	787
	60 x 16 x 36	1500 x 400 x 900	41NN-E603616	732
	54 x 16 x 36	1350 x 400 x 900	41NN-E543616	678
	48 x 16 x 36	1200 x 400 x 900	41NN-E483616	618
	42 x 16 x 36	1050 x 400 x 900	41NN-E423616	563
	36 x 16 x 36	900 x 400 x 900	41NN-E363616	509

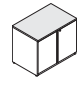

	W x D x H (in)	W x D x H (mm)	Code	Price (\$)
	<i>Hanger bar included for wall-mount installation. Can accommodate a tackboard, refer to page 205.</i>			
	84 x 16 x 22	2100 x 400 x 553	41NN-EM842216P	1,207
	78 x 16 x 22	1950 x 400 x 553	41NN-EM782216P	1,153
	72 x 16 x 22	1800 x 400 x 553	41NN-EM722216P	1,098
	66 x 16 x 22	1650 x 400 x 553	41NN-EM662216P	1,043
	60 x 16 x 22	1500 x 400 x 553	41NN-EM602216P	984
	54 x 16 x 22	1350 x 400 x 553	41NN-EM542216P	929
	48 x 16 x 22	1200 x 400 x 553	41NN-EM482216P	874
	42 x 16 x 22	1050 x 400 x 553	41NN-EM422216P	815
	36 x 16 x 22	900 x 400 x 553	41NN-EM362216P	759


84" to 60": 4 doors
54" to 48": 3 doors
42" to 36": 2 doors

	W x D x H (in)	W x D x H (mm)	Code	Price (\$)
	<i>Hanger bar included for wall-mount installation. Can accommodate a tackboard, refer to page 205.</i>			
	84 x 16 x 22	2100 x 400 x 553	41NN-EM842216	984
	78 x 16 x 22	1950 x 400 x 553	41NN-EM782216	929
	72 x 16 x 22	1800 x 400 x 553	41NN-EM722216	874
	66 x 16 x 22	1650 x 400 x 553	41NN-EM662216	815
	60 x 16 x 22	1500 x 400 x 553	41NN-EM602216	759
	54 x 16 x 22	1350 x 400 x 553	41NN-EM542216	705
	48 x 16 x 22	1200 x 400 x 553	41NN-EM482216	645
	42 x 16 x 22	1050 x 400 x 553	41NN-EM422216	590
	36 x 16 x 22	900 x 400 x 553	41NN-EM362216	536


	W x D x H (in)	W x D x H (mm)	Code	Price (\$)
	<i>2 file drawers with suspension bars. Lock. Optional counterweight to meet BIFMA standards, refer to page 207.</i>			
	36 x 24 x 29	900 x 600 x 735	41_N-2436LF 	984
	30 x 24 x 29	750 x 600 x 735	41_N-2430LF	939
	36 x 20 x 29	900 x 500 x 735	41_N-2036LF 	946
	30 x 20 x 29	750 x 500 x 735	41_N-2030LF	901

Specify the handle code (X, Y, L).

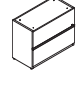
	W x D x H (in)	W x D x H (mm)	Code	Price (\$)
	<i>Adjustable shelf. Lock.</i>			
	36 x 24 x 29	900 x 600 x 735	41_N-2436B 	847
	30 x 24 x 29	750 x 600 x 735	41_N-2430B	797
	36 x 20 x 29	900 x 500 x 735	41_N-2036B	809
	30 x 20 x 29	750 x 500 x 735	41_N-2030B	765

	W x D x H (in)	W x D x H (mm)	Code	Price (\$)
Specify the handle code (X, Y, L).				
	<i>2 box drawers, 2 file drawers with suspension bars. Lock. Pencil tray.</i>			
	36 x 24 x 29	900 x 600 x 735	41_N-2436CO	1,174
	36 x 20 x 29	900 x 500 x 735	41_N-2036CO	1,142


Specify the handle code (X, Y, L).

	W x D x H (in)	W x D x H (mm)	Code	Price (\$)
	<i>2 box drawers, 2 file drawers with suspension bars. Lock. Pencil tray.</i>			
	36 x 24 x 29	900 x 600 x 735	41_N-C02436	1,174
	36 x 20 x 29	900 x 500 x 735	41_N-C02036	1,142


Specify the handle code (X, Y, L).

	W x D x H (in)	W x D x H (mm)	Code	Price (\$)
	<i>2 file drawers with suspension bars. Lock. Must be installed under a work surface. 1 tone only.</i>			
	36 x 18 x 28	898 x 448 x 711	4N_N-1836FL	874
	30 x 18 x 28	748 x 448 x 711	4N_N-1830FL	825


Specify the handle code (X, Y, L).

	W x D x H (in)	W x D x H (mm)	Code	Price (\$)
	<i>2 box drawers on left, 2 file drawers with suspension bars. Lock. Pencil tray. Must be installed under a work surface. 1 tone only.</i>			
	36 x 18 x 28	898 x 448 x 711	4N_N-1836COL	1,120

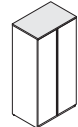
Specify the handle code (X, Y, L).

	W x D x H (in)	W x D x H (mm)	Code	Price (\$)
	<i>2 box drawers on right, 2 file drawers with suspension bars. Lock. Pencil tray. Must be installed under a work surface. 1 tone only.</i>			
	36 x 18 x 28	898 x 448 x 711	4N_N-C01836L	1,120

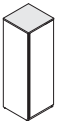
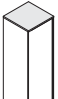
Specify the handle code (X, Y, L).

	W x D x H (in)	W x D x H (mm)	Code	Price (\$)
	<i>Adjustable shelf. Lock. Must be installed under a work surface. 1 tone only.</i>			
	36 x 18 x 28	898 x 448 x 711	4N_N-1836BL	787
	30 x 18 x 28	748 x 448 x 711	4N_N-1830BL	743

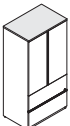
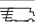

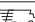
Specify the handle code (X, Y, L).

	W x D x H (in)	W x D x H (mm)	Code	Price (\$)
	<i>3 adjustable shelves and 1 full-width fixed shelf. Full-width clothes hanger bar. 73" H storage unit matches the height of a credenza with a 44" H hutch. 65" H storage unit matches the height of a credenza with a 36" H hutch.</i>			
	36 x 24 x 73	900 x 600 x 1834	41_N-243673B	1,491
	36 x 20 x 73	900 x 500 x 1834	41_N-203673B	1,376
	36 x 24 x 65	900 x 600 x 1635	41_N-243665B	1,376
	36 x 20 x 65	900 x 500 x 1635	41_N-203665B	1,267


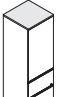
Specify the handle code (X, Y, L).

	W x D x H (in)	W x D x H (mm)	Code	Price (\$)
Storage or wardrobe units  Open right (BR)  Open left (BL)	<i>3 adjustable shelves and 1 full-width fixed shelf. Full-width clothes hanger bar. 73" H storage unit matches the height of a credenza with a 44" H hutch. 65" H storage unit matches the height of a credenza with a 36" H hutch.</i>			
	24 x 24 x 73	600 x 600 x 1834	41_N-242473BR	1,207
	24 x 24 x 73	600 x 600 x 1834	41_N-242473BL	1,207
	24 x 20 x 73	600 x 500 x 1834	41_N-202473BR	1,153
	24 x 20 x 73	600 x 500 x 1834	41_N-202473BL	1,153
	24 x 24 x 65	600 x 600 x 1635	41_N-242465BR	1,153
	24 x 24 x 65	600 x 600 x 1635	41_N-242465BL	1,153
	24 x 20 x 65	600 x 500 x 1635	41_N-202465BR	1,098
24 x 20 x 65	600 x 500 x 1635	41_N-202465BL	1,098	

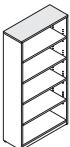
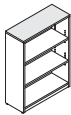
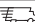
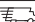


Specify the handle code (X, Y, L).

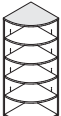
	W x D x H (in)	W x D x H (mm)	Code	Price (\$)
Storage units with lateral file 	<i>2 adjustable shelves. 2 file drawers with suspension bars. Lock on drawers. 73" H storage matches the height of a credenza with a 44" H hutch. 65" H storage unit matches the height of a credenza with a 36" H hutch.</i>			
	36 x 24 x 73	900 x 600 x 1834	41_N-243673LFB 	1,803
	36 x 20 x 73	900 x 500 x 1834	41_N-203673LFB 	1,688
	36 x 24 x 65	900 x 600 x 1635	41_N-243665LFB	1,731
36 x 20 x 65	900 x 500 x 1635	41_N-203665LFB 	1,622	


Specify the handle code (X, Y, L).



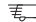
	W x D x H (in)	W x D x H (mm)	Code	Price (\$)
Storage units with lateral file  Open right (FBR)  Open left (FBL)	<i>Reversible door. 2 adjustable shelves. 2 file drawers with suspension bars. Lock on drawers. 73" H storage unit matches the height of a credenza with a 44" H hutch. 65" H storage unit matches the height of a credenza with a 36" H hutch.</i>			
	24 x 24 x 73	600 x 600 x 1834	41_N-242473FBR	1,530
	24 x 24 x 73	600 x 600 x 1834	41_N-242473FBL	1,530
	24 x 20 x 73	600 x 500 x 1834	41_N-202473FBR	1,420
	24 x 20 x 73	600 x 600 x 1834	41_N-202473FBL	1,420
	24 x 24 x 65	600 x 600 x 1635	41_N-242465FBR	1,475
	24 x 24 x 65	600 x 600 x 1635	41_N-242465FBL	1,475
	24 x 20 x 65	600 x 500 x 1635	41_N-202465FBR	1,361
24 x 20 x 65	600 x 600 x 1635	41_N-202465FBL	1,361	

Specify the handle code (X, Y, L).


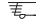
	W x D x H (in)	W x D x H (mm)	Code	Price (\$)
Open bookcases  	<i>4 adjustable shelves.</i>			
	36 x 14 x 73	900 x 350 x 1834	41NN-B367314 	847
	36 x 14 x 65	900 x 350 x 1635	41NN-B366514 	759
	<i>2 adjustable shelves.</i>			
	36 x 14 x 48	900 x 350 x 1200	41NN-B364814 	678
<i>Additional shelf.</i>				
34 x 13 x 1	846 x 325 x 25	41NN-TB3614.1E 	114	

	W x D x H (in)	W x D x H (mm)	Code	Price (\$)
Corner open bookcases 	<i>4 adjustable shelves.</i>			
	24 x 24 x 73	600 x 600 x 1834	41NN-B242473	901
	20 x 20 x 73	500 x 500 x 1834	41NN-B202073	847
	24 x 24 x 65	600 x 600 x 1635	41NN-B242465	847
20 x 20 x 65	500 x 500 x 1635	41NN-B202065	787	


	W x D x H (in)	W x D x H (mm)	Code	Price (\$)
Corner open bookcases 	<i>1 adjustable shelf.</i>			
	24 x 24 x 29	600 x 600 x 735	41NN-B242429	563
	20 x 20 x 29	500 x 500 x 735	41NN-B202029	509

	W x D x H (in)	W x D x H (mm)	Code	Price (\$)
Mobile pedestals 	<i>2 box drawers, 1 file drawer with suspension bar. Pencil tray. Brakes on front casters. Lock. Fits under a work surface. 1 tone only.</i>			
	15 x 23 x 27 1/8	390 x 575 x 689	4N_N-MP1523UF 	825
	15 x 18 x 27 1/8	390 x 450 x 689	4N_N-MP1518UF 	770


Specify the handle code (X, Y, L).

	W x D x H (in)	W x D x H (mm)	Code	Price (\$)
Mobile pedestal 	<i>2 file drawers with suspension bars. Brakes on front casters. Lock. Fits under a work surface. 1 tone only.</i>			
	15 x 23 x 27 1/8	390 x 575 x 689	4N_N-MP1523FF 	787


Specify the handle code (X, Y, L).

	W x D x H (in)	W x D x H (mm)	Code	Price (\$)
Mobile pedestals 	<i>1 box drawer and 1 file drawer with suspension bar. Pencil tray. Brakes on front casters. Lock. Fits under a work surface. 1 tone only.</i>			
	15 x 23 x 20 3/4	390 x 575 x 527	4N_N-MP1523F	759
	15 x 18 x 20 3/4	390 x 450 x 527	4N_N-MP1518F	732



Specify the handle code (X, Y, L).

	W x D x H (in)	W x D x H (mm)	Code	Price (\$)
Modular pedestal 	<i>2 box drawers, 1 file drawer with suspension bar. Pencil tray. Lock. Must be installed under work surface. 1 tone only.</i>			
	15 x 18 x 28	388 x 448 x 711	4N_N-P1518UFL	716


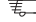
Specify the handle code (X, Y, L).

	W x D x H (in)	W x D x H (mm)	Code	Price (\$)
Modular pedestal 	<i>2 file drawers with suspension bars. Lock. Must be installed under a work surface. 1 tone only.</i>			
	15 x 18 x 28	388 x 448 x 711	4N_N-P1518FFL	688


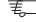
Specify the handle code (X, Y, L).

	W x D x H (in)	W x D x H (mm)	Code	Price (\$)
Hanging pedestal 	<i>1 box drawer and 1 file drawer with suspension bar. Pencil tray. Lock. Must be installed under a work surface de travail. 1 tone only.</i>			
	15 x 17 1/2 x 19 1/4	388 x 448 x 489	4N_N-F 	628


Specify the handle code (X, Y, L).

	W x D x H (in)	W x D x H (mm)	Code	Price (\$)
Metal pedestal 	<i>2 box drawers, 1 file drawer with suspension bar. Pencil tray. Charcoal metal body and laminate drawer fronts. Lock. Must be installed under work surface.</i>			
	15 x 22 x 28	372 x 540 x 713	4N_N-PM1522UFL 	519


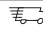
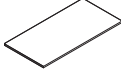
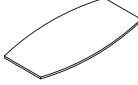

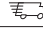
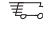
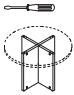

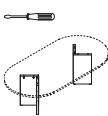
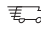
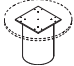
Specify the handle code (X, Y, L).

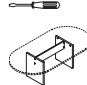
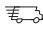
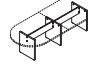
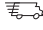



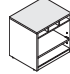
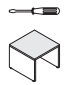
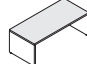
	W x D x H (in)	W x D x H (mm)	Code	Price (\$)
Metal pedestal 	<i>2 file drawers with suspension bars. Charcoal metal body and laminate drawer fronts. Lock. Must be installed under a work surface.</i>			
	15 x 22 x 28	372 x 540 x 713	4N_N-PM1522FFL 	496

Specify the handle code (X, Y, L).

	W x D x H (in)	W x D x H (mm)	Code	Price (\$)
Hanging metal pedestal 	<i>1 box drawer and 1 file drawer with suspension bar. Pencil tray. Lock. Charcoal metal body and laminate drawer fronts. Must be installed under a work surface.</i>			
	15 x 22 x 19 1/2	372 x 540 x 496	4N_N-MF	475



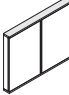

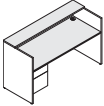
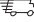
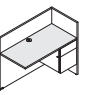
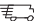
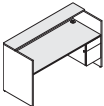
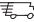
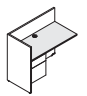

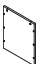

Specify the handle code (X, Y, L).

	W x D x H (in)	W x D x H (mm)	Code	Price (\$)
Round tops				
<i>Conference tables.</i>				
	36 x 36 x 1½	900 x 900 x 38	45NN-R36	338
	42 x 42 x 1½	1050 x 1050 x 38	45NN-R42 	465
	48 x 48 x 1½	1200 x 1200 x 38	45NN-R48	514
Rectangular tops				
<i>Conference tables.</i>				
	72 x 36 x 1½	1800 x 900 x 38	45NN-REC72	569
	96 x 48 x 1½	2400 x 1200 x 38	45NN-REC96	815
Boat-shape tops				
<i>Conference tables. 120" and 144" tops are in two pieces.</i>				
	96 x 48 x 1½	2400 x 1200 x 38	45NN-B96	906
	120 x 48 x 1½	3000 x 1200 x 38	45NN-B120	1,137
	144 x 48 x 1½	3600 x 1200 x 38	45NN-B144	1,192
Racetrack tops				
<i>Conference tables. 120" and 144" tops are in two pieces.</i>				
	72 x 36 x 1½	1800 x 900 x 38	45NN-RT72	661
	96 x 48 x 1½	2400 x 1200 x 38	45NN-RT96 	906
	120 x 48 x 1½	3000 x 1200 x 38	45NN-RT120	1,137
	144 x 48 x 1½	3600 x 1200 x 38	45NN-RT144 	1,192
Cross bases				
<i>1½" thermofused laminate.</i>				
	22 x 22 x 28	555 x 555 x 710	LGC-CR22	361
	27 x 27 x 28	680 x 680 x 710	LGC-CR27 	400
	33 x 33 x 28	825 x 825 x 710	LGC-CR33	454
V-bases				
<i>1½" thermofused laminate.</i>				
	16 x 16 x 28	400 x 400 x 710	LGC-2V14  (pair)	524
Drum base				
	18 x 18 x 28	460 x 460 x 710	LGC-DB19	847

	W x D x H (in)	W x D x H (mm)	Code	Price (\$)
Panel bases				
<i>Panel bases and crosspieces packaged separately.</i>				
<i>For 72" and 96" tables.</i>				
	43¾ x 24 x 28	1084 x 600 x 710	LGC-P30.7296 	420
<i>For 120" and 144" tables.</i>				
	85 x 24 x 28	2126 x 600 x 710	LGC-P30.120144 	661
Cross base				
<i>Black steel leg.</i>				
	33 x 33 x 28	830 x 830 x 710	LGC-CH433 NNN	(each) 579
T-base				
<i>Black steel leg.</i>				
	30 x 4 x 28	760 x 105 x 710	LGC-CH233 NNN	(each) 448
Leg				
<i>Black steel leg.</i>				
	6 x 6 x 28	150 x 150 x 710	LGC-TL NNN	(each) 268
Printer table				
<i>1 height adjustable sliding shelf. Grommet on modesty panel.</i>				
	30 x 24 x 29	750 x 600 x 735	41NN-2430PS	678
Coffee table				
	22 x 22 x 18	550 x 550 x 450	41NN-ST222218	366
Magazine table				
	48 x 22 x 18	1200 x 550 x 450	41NN-ST224818	392

BASE OPTIONS / QUANTITY											
	Top Lengths	LGC-CR22	LGC-CR27	LGC-CR33	LGC-2V14	LGC-DB19	LGC-P30.7296	LGC-P30.120144	LGC-CH433	LGC-CH233	LGC-TL*
36" DEPTH	36"	1				1			1		4
	72"	2			1	2	1		2	2	4
42" DEPTH	42"		1						1		4
48" DEPTH	48"			1					1		4
	96"			2	1	2	1		2	2	4
	120"			3	1+1 CR33	3		1	3	3	6
	144"			3	1+1 CR33	3		1	3	3	6

* Not compatible with round tops.

	W x D x H (in)	W x D x H (mm)	Code	Price (\$)	
Mobile serving carts 	<i>1 sliding shelf, 1 box drawer. Pencil tray. 1 door. 1 shelf.</i>				
	20 x 21 x 36	500 x 520 x 900	41_N-MS212036	880	
Specify the handle code (X, Y, L).					
	<i>1 sliding shelf, 2 box drawers. Pencil tray. 2 doors. 2 shelves.</i>				
	36 x 21 x 36	900 x 520 x 900	41_N-MS213636	1,366	
Specify the handle code (X, Y, L).					
Marker board 	<i>Non-magnetic surface for use with dry-erase markers. Eraser tray along bottom of board. Inside face of doors covered in natural cork. Hooks for paper pad. 180° hinges.</i>				
	54 x 5 x 41¼	1368 x 130 x 1049	41_N-VBX4054	1,410	
Specify the handle code (X, Y, L).					
Lectern 	<i>1 fixed shelf. 1 grommet. 4 casters, 2 with brakes.</i>				
	24 x 18 x 44	600 x 450 x 1112	41NN-LC181844	787	
Right reception desks 	<i>Desk with pedestal on left, 1 box drawer and 1 file drawer with suspension bar. Lock. Pencil tray. 2 grommets. Full-height modesty panel.</i>				
	72 x 30 x 42	1800 x 750 x 1050	41_N-GF3072S	 1,465	
	Specify the handle code (X, Y, N).				
	<i>Right return with pedestal on right, 1 box drawer and 1 file drawer with suspension bar. Lock. Pencil tray. 1 grommet. Full-height modesty panel.</i>				
	48 x 24 x 42	1200 x 600 x 1050	41_N-GR2448F	956	
	42 x 24 x 42	1050 x 600 x 1050	41_N-GR2442F	 934	
	Specify the handle code (X, Y, N).				
Left reception desks 	<i>Desk with pedestal on right, 1 box drawer and 1 file drawer with suspension bar. Lock. Pencil tray. 2 grommets. Full-height modesty panel.</i>				
	72 x 30 x 42	1800 x 750 x 1050	41_N-GS3072F	 1,465	
	Specify the handle code (X, Y, N).				
	<i>Left return with pedestal on left, 1 box drawer and 1 file drawer with suspension bar. Lock. Pencil tray. 1 grommet. Full-height modesty panel.</i>				
	48 x 24 x 42	1200 x 600 x 1050	41_N-GF2448R	956	
	42 x 24 x 42	1050 x 600 x 1050	41_N-GF2442R	 934	
	Specify the handle code (X, Y, N).				
Additional legs 	<i>1 full leg. For AT, DT and CM tables.</i>				
	30 x 1 x 27½	750 x 25 x 698	4NNN-L30	147	
	24 x 1 x 27½	600 x 25 x 698	4NNN-L24	137	
	20 x 1 x 27½	500 x 25 x 698	4NNN-L20	126	
Additional legs 	<i>1 recessed leg. For AT, DT and CM tables.</i>				
	13 x 1 x 27½	340 x 25 x 698	4NNN-L12	114	