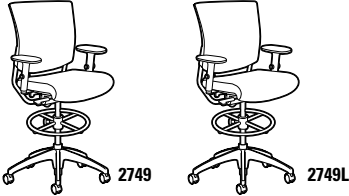
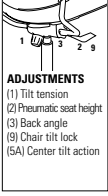



| DESCRIPTION   | FEATURES   | MODEL#       | STANDARD FABRIC GRADES                              |     |   |  |     |       |   |      |      |      |      |      |  |  |
|---|--|--------------|---|-----|---|--|-----|-------|---|------|------|------|------|------|--|--|
|   |  |              | 3   | 4   | 5   | 6  | 7   | 8     | 9   | 10   | 11   | 12   | 13   | 14   |  |  |
|  <p><b>2749</b>      <b>2749L</b></p>  |  <p><b>ADJUSTMENTS</b><br/>                     (1) Tilt tension<br/>                     (2) Pneumatic seat height<br/>                     (3) Back angle<br/>                     (9) Chair tilt lock<br/>                     (5A) Center tilt action</p> |              |   |     |   |  |     |       |   |      |      |      |      |      |  |  |
|   |  | <b>2749</b>  | 746   | 777 | 802   | 839  | 891 | 910   | 956   | 1042 | 1084 | 1166 | 1275 | 1412 |  |  |
|   |  | <b>2749L</b> | -   | -   | -   | -  | -   | -     | -   | 1148 | 1204 | 1275 | 1396 | 1531 |  |  |
| <p><b>Medium Posture Stool Back - Fully Upholstered w/Arms</b><br/>                     COM Yardage: 1.25<br/>                     Freight Class: 150<br/>                     Product Weight (lbs.): 52<br/>                     Cubic Feet Per Carton: 9.75</p> |  |              | <p>Ergonomic Features: A, C, G, H, M, N, Q</p>      |     |   |  |     |       |   |      |      |      |      |      |  |  |
|   |  |              | <p><b>OVERALL DIMENSIONS</b></p> <p>W    D    H</p> |     |   | <p><b>SEAT DIMENSIONS</b></p> <p>W    D    H</p> |     |       | <p><b>BACK DIMENSIONS</b></p> <p>W    H</p> |      |      |      |      |      |  |  |
|   |  |              | 25  | 24  | 46  | 20   | 19  | 23-33 | 19  | 19   |      |      |      |      |  |  |
|   |  |              | <p><b>RTA 1</b></p>                                 |     |  |  |     |       |   |      |      |      |      |      |  |  |

INDULGE



model 3690-1

model 3691-1

**Lumbar Support**  
 Standard with adjustable Schukra Lumbar Support.


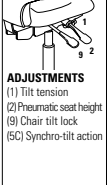
STANDARD FEATURES


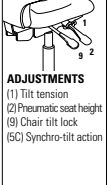
- Developed to maintain healthy sitting postures by encouraging constant body movement.
- Standard with adjustable height forward swept arms with "sliding armcaps" (GL).
- Chair back is mounted on flexible rubberized mounts that are pre-tensioned for support and control. Standard with adjustable Schukra Lumbar Support.
- Vari-Width Adapter Plate (WA) is standard when chair is ordered with adjustable height arms. Allows a total of 4" extra seat width and locks with the use of an easy to maneuver lever.

- Standard with a five legged reinforced nylon "spider" base with C10 casters in Black.

OPTIONAL FEATURES

- See pages 306-308 for additional arm options.
- An optional Polished Aluminum base with scuff resistant tips is available at an up charge. Specify ALU. Add \$138.00
- Please see page 309 for additional caster options. Optional casters may be priced higher than standard casters for your chair and the difference will be charged. Lower priced optional casters will not be credited.

| DESCRIPTION   | FEATURES   | MODEL#          | STANDARD FABRIC GRADES                              |      |      |  |         |       |   |      |      |      |      |      |  |  |
|---|--|-----------------|---|------|------|--|---------|-------|---|------|------|------|------|------|--|--|
|   |  |                 | 3   | 4    | 5    | 6  | 7       | 8     | 9   | 10   | 11   | 12   | 13   | 14   |  |  |
|   |  <p><b>ADJUSTMENTS</b><br/>                     (1) Tilt tension<br/>                     (2) Pneumatic seat height<br/>                     (9) Chair tilt lock<br/>                     (5C) Synchro-tilt action</p> |                 |   |      |      |  |         |       |   |      |      |      |      |      |  |  |
|   |  | <b>3690-1</b>   | 1141  | 1182 | 1215 | 1264   | 1334    | 1359  | 1420  | 1536 | 1592 | 1700 | 1846 | 2029 |  |  |
|   |  | <b>3690LM-1</b> | -   | -    | -    | -  | 1329    | -     | -   | 1542 | 1608 | 1714 | 1874 | 2066 |  |  |
| <p><b>HB Multi - Tilter</b><br/>                     COM Yardage: 1.75<br/>                     Freight Class: 150<br/>                     Product Weight (lbs.): 60<br/>                     Cubic Feet Per Carton: 14.75</p> |  |                 | <p>Ergonomic Features: A, B, C, H, L, M, N</p>      |      |      |  |         |       |   |      |      |      |      |      |  |  |
|   |  |                 | <p><b>OVERALL DIMENSIONS</b></p> <p>W    D    H</p> |      |      | <p><b>SEAT DIMENSIONS</b></p> <p>W    D    H</p> |         |       | <p><b>BACK DIMENSIONS</b></p> <p>W    H</p> |      |      |      |      |      |  |  |
|   |  |                 | 26  | 24   | 50   | 21   | 18.5-21 | 16-20 | 16  | 31.5 |      |      |      |      |  |  |
|   |  |                 | <p><b>RTA 2</b></p>                                 |      |      |  |         |       |   |      |      |      |      |      |  |  |

| DESCRIPTION  | FEATURES  | MODEL#          | STANDARD FABRIC GRADES                              |      |      |  |         |       |   |      |      |      |      |      |  |  |
|--|---|-----------------|---|------|------|--|---------|-------|---|------|------|------|------|------|--|--|
|  |   |                 | 3   | 4    | 5    | 6  | 7       | 8     | 9   | 10   | 11   | 12   | 13   | 14   |  |  |
|   |  <p><b>ADJUSTMENTS</b><br/>                     (1) Tilt tension<br/>                     (2) Pneumatic seat height<br/>                     (9) Chair tilt lock<br/>                     (5C) Synchro-tilt action</p> |                 |   |      |      |  |         |       |   |      |      |      |      |      |  |  |
|  |   | <b>3691-1</b>   | 1029  | 1065 | 1093 | 1135   | 1194    | 1216  | 1268  | 1368 | 1415 | 1508 | 1633 | 1790 |  |  |
|  |   | <b>3691LM-1</b> | -   | -    | -    | -  | 1181    | -     | -   | 1364 | 1420 | 1511 | 1650 | 1814 |  |  |
| <p><b>MB Multi - Tilter</b><br/>                     COM Yardage: 1.50<br/>                     Freight Class: 250<br/>                     Product Weight (lbs.): 47<br/>                     Cubic Feet Per Carton: 13</p> |   |                 | <p>Ergonomic Features: A, B, C, H, L, M, N</p>      |      |      |  |         |       |   |      |      |      |      |      |  |  |
|  |   |                 | <p><b>OVERALL DIMENSIONS</b></p> <p>W    D    H</p> |      |      | <p><b>SEAT DIMENSIONS</b></p> <p>W    D    H</p> |         |       | <p><b>BACK DIMENSIONS</b></p> <p>W    H</p> |      |      |      |      |      |  |  |
|  |   |                 | 26  | 24   | 43   | 21   | 18.5-21 | 16-20 | 16  | 24   |      |      |      |      |  |  |
|  |   |                 | <p><b>RTA 2</b></p>                                 |      |      |  |         |       |   |      |      |      |      |      |  |  |